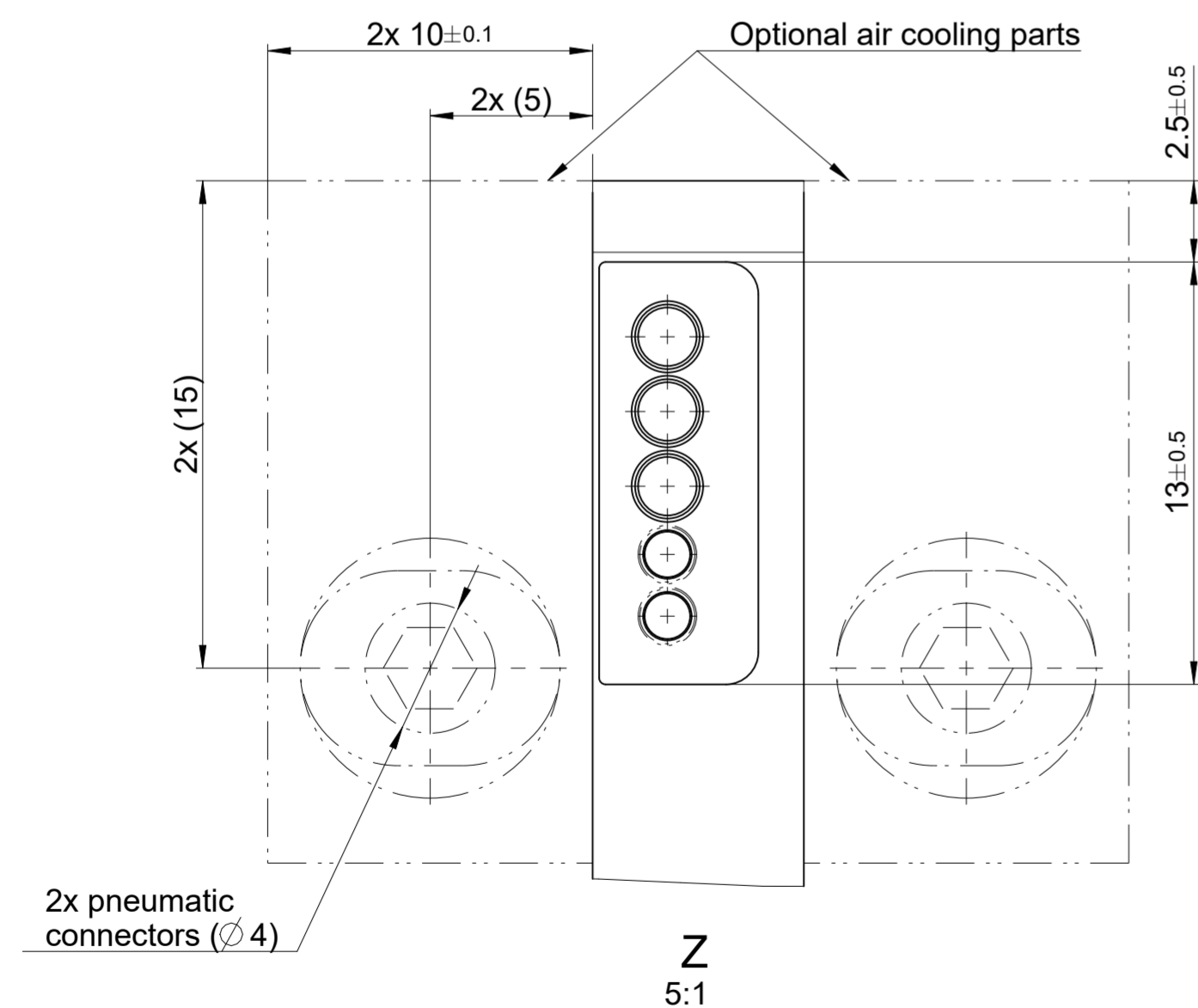
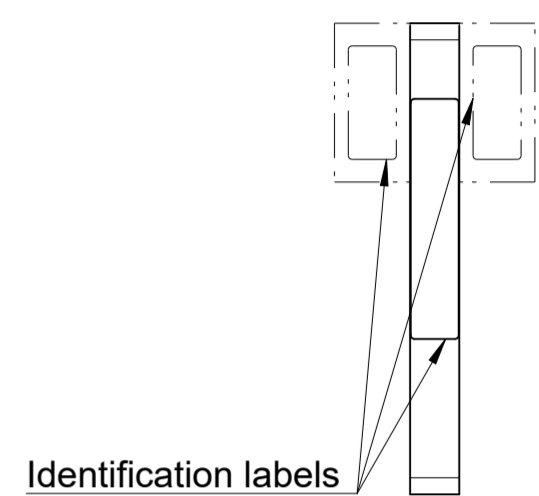
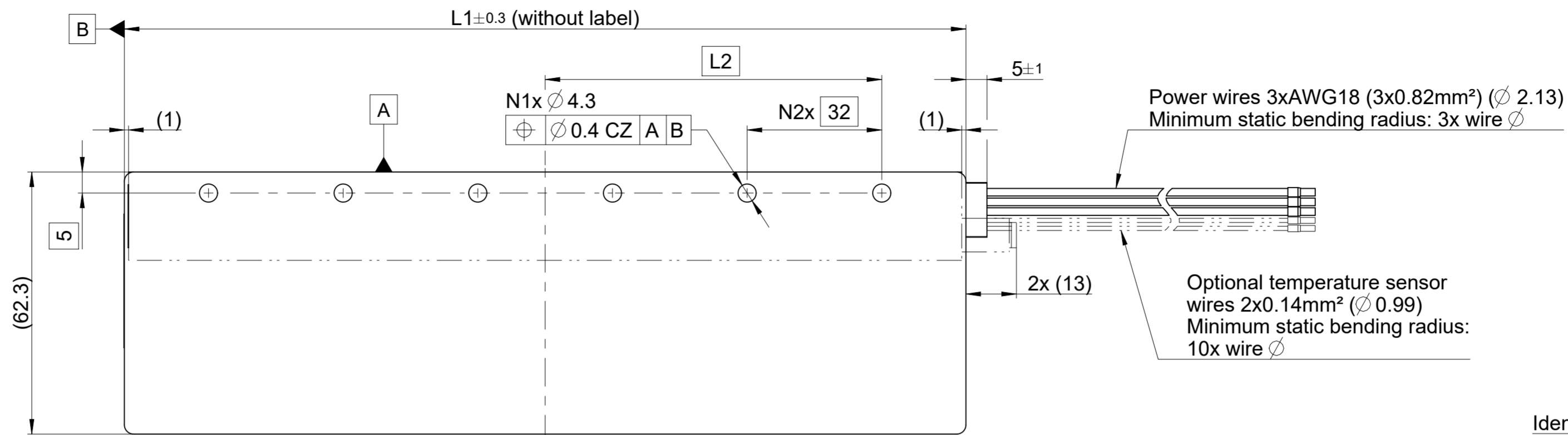
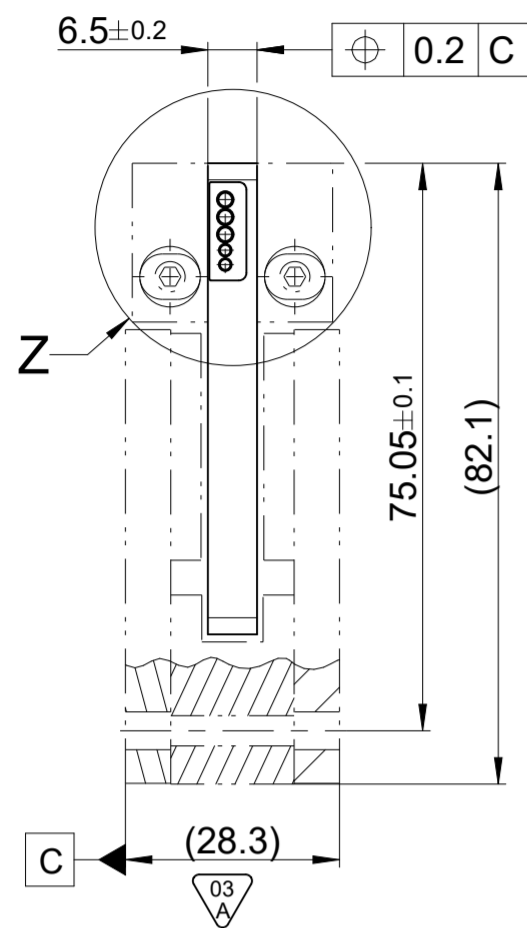


Linear Motors

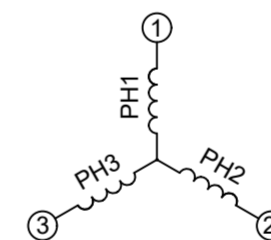
ILF+ INTERFACE DRAWINGS

ETEL

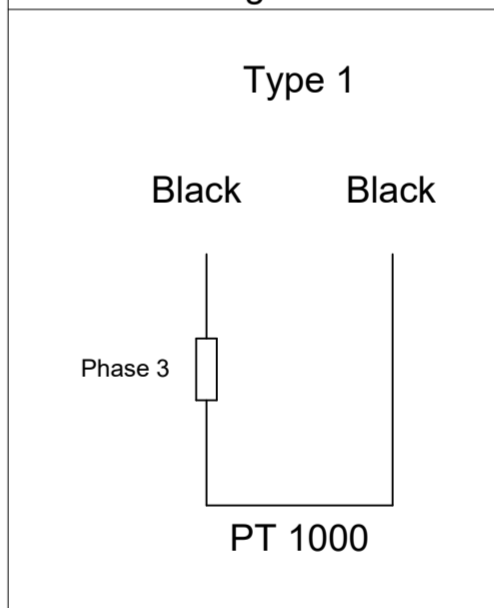


Power cable connection

Phase 1 = red wire
Phase 2 = white wire
Phase 3 = black wire



Optional temperature sensor configuration



Designation	L1	L2	N1	N2
ILF+03-030	72	16	2	1
ILF+06-030	136	48	4	3
ILF+09-030	200	80	6	5

Text: -		ID number:
Original drawing		Change No. C111382-05
Scale		Released: 03-Jun-20
Format		Tolerances as per ISO 8015 : 2011
Dimensions in mm		Tolerances selon ISO 8015 : 2011
1:1		Dimensions without tolerance ± 0,2
A2		Dimensions sans tolérances
<p>Ironless linear motor ILF+##-###-#####-### Moteur linéaire sans fer ILF+##-###-#####-###</p> <p>Mating Dimensions / Cotes d'encombrement</p>		
<p>The reproduction, distribution and utilization of this document as well as the communication of its contents to others without express authorization is prohibited. Offenders will be held liable for the payment of damages. All rights reserved in the event of the grant of a patent, utility model or design. (ISO 16016)</p>		
<p>ETEL ETEL S.A. 2112 Môtiers SWITZERLAND</p>		<p>Version Revision Sheet Page 1269104-03-A-01 1 1</p>
Document number		

