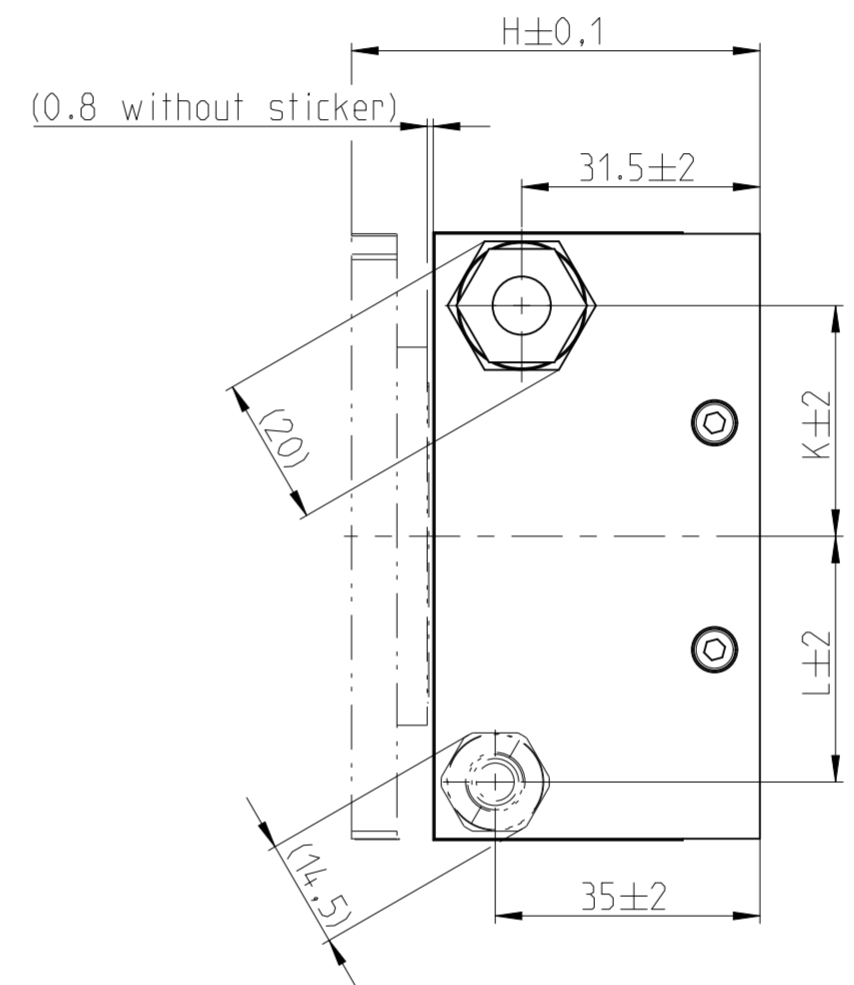
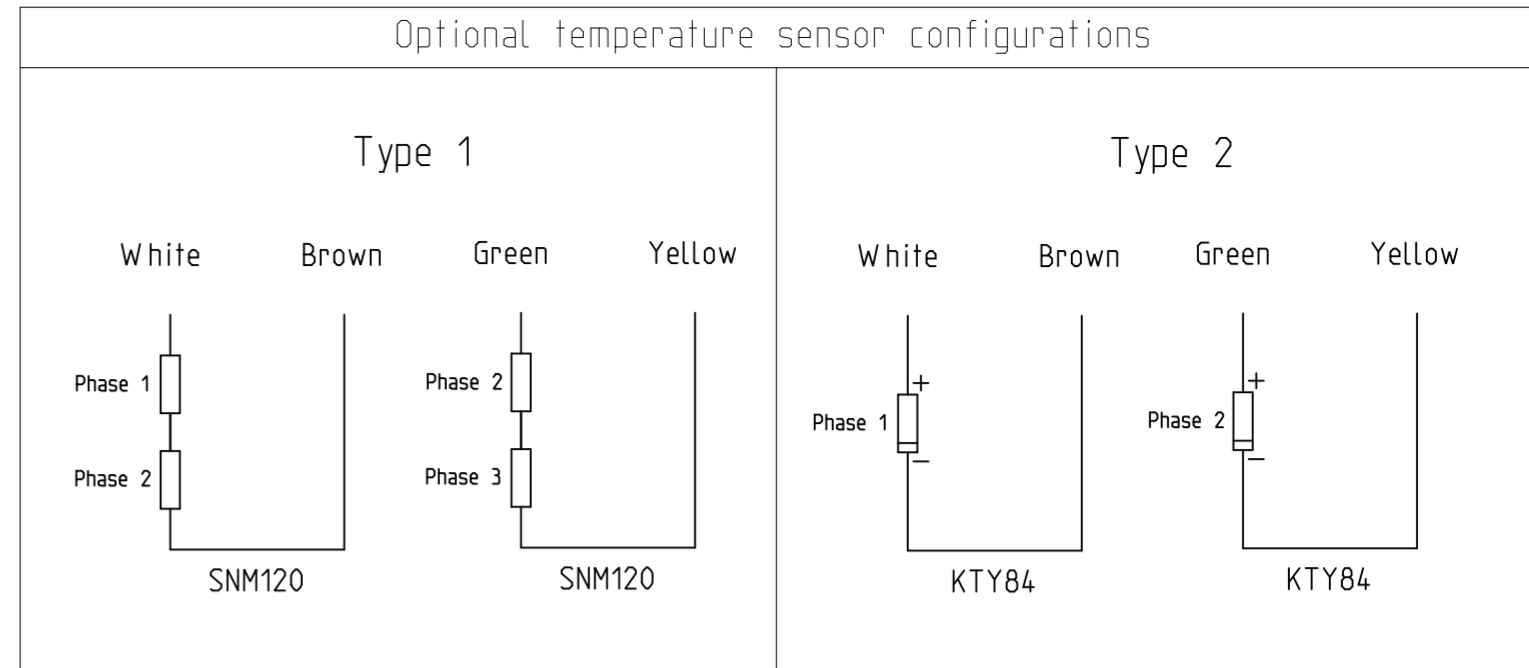
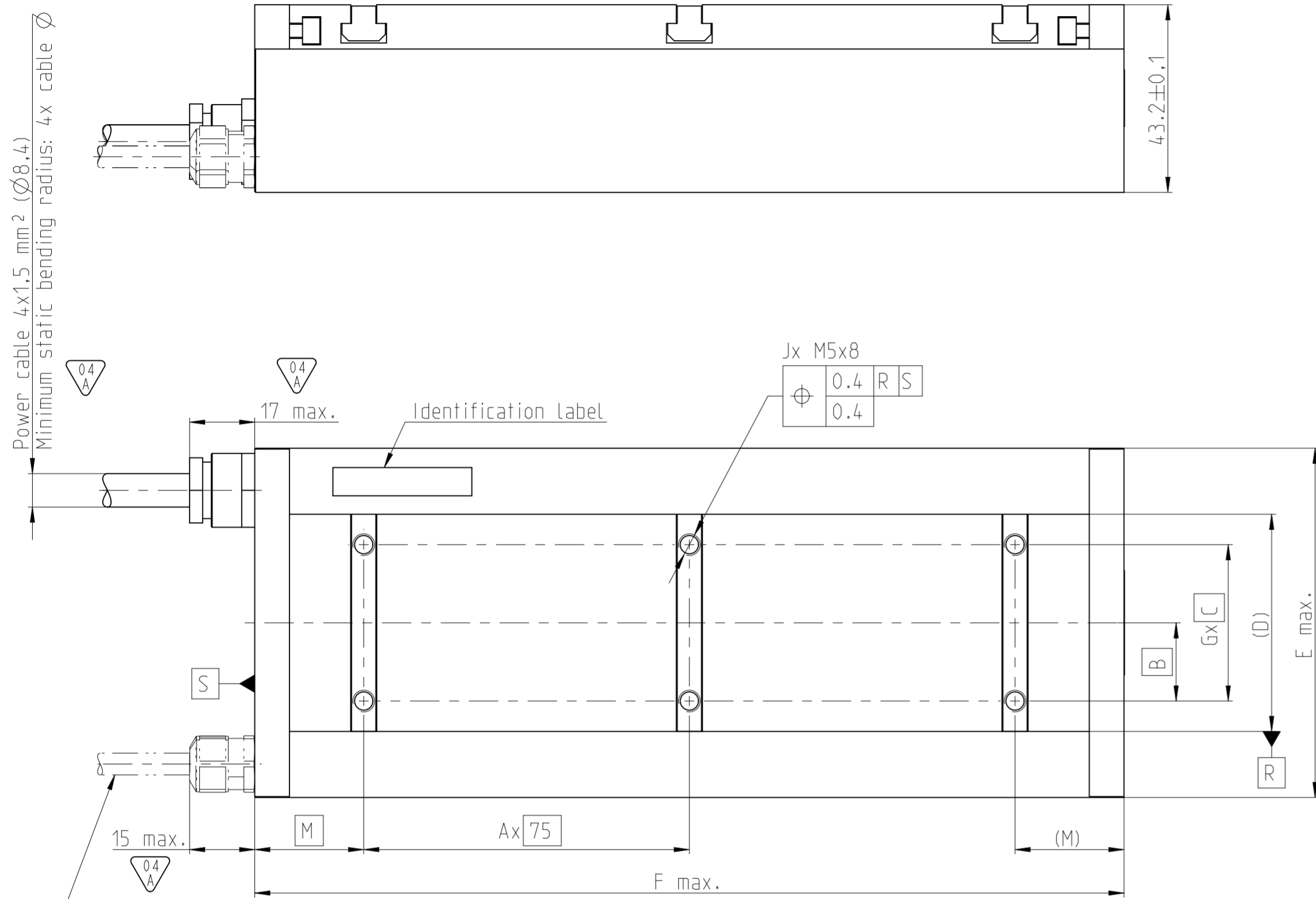


Linear Motors

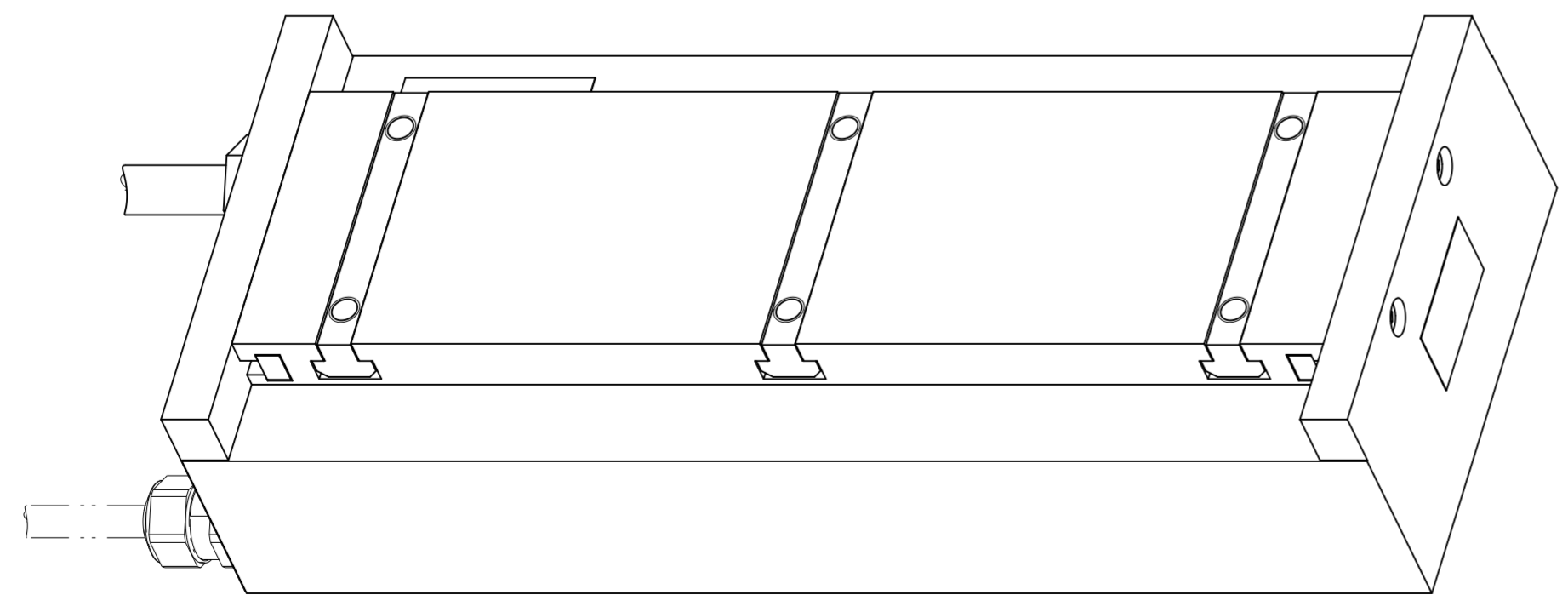
LMA INTERFACE DRAWINGS

ETEL



Optional shielded temperature sensor cable: 5x0.14 mm² (Ø4.8)
Minimum static bending radius: 6x cable Ø

	A	B	C	D	E	F	G	H	J	K	L	M
LMA11-030	2	8	16	30	61	201.7	1	54	6	20.5	22.5	25.1
LMA11-050		18	36	50	81			56		30.5	32.5	
LMA11-070		26	26	70	101		2	58	9	40.5	42.5	
LMA11-100		36	36	100	131			55.5	57.5			
LMA22-030	4	8	16	30	61	377.7	1	54	10	20.5	22.5	38.1
LMA22-050		18	36	50	81			56		30.5	32.5	
LMA22-070		26	26	70	101		2	58	15	40.5	42.5	
LMA22-100		36	36	100	131			55.5	57.5			

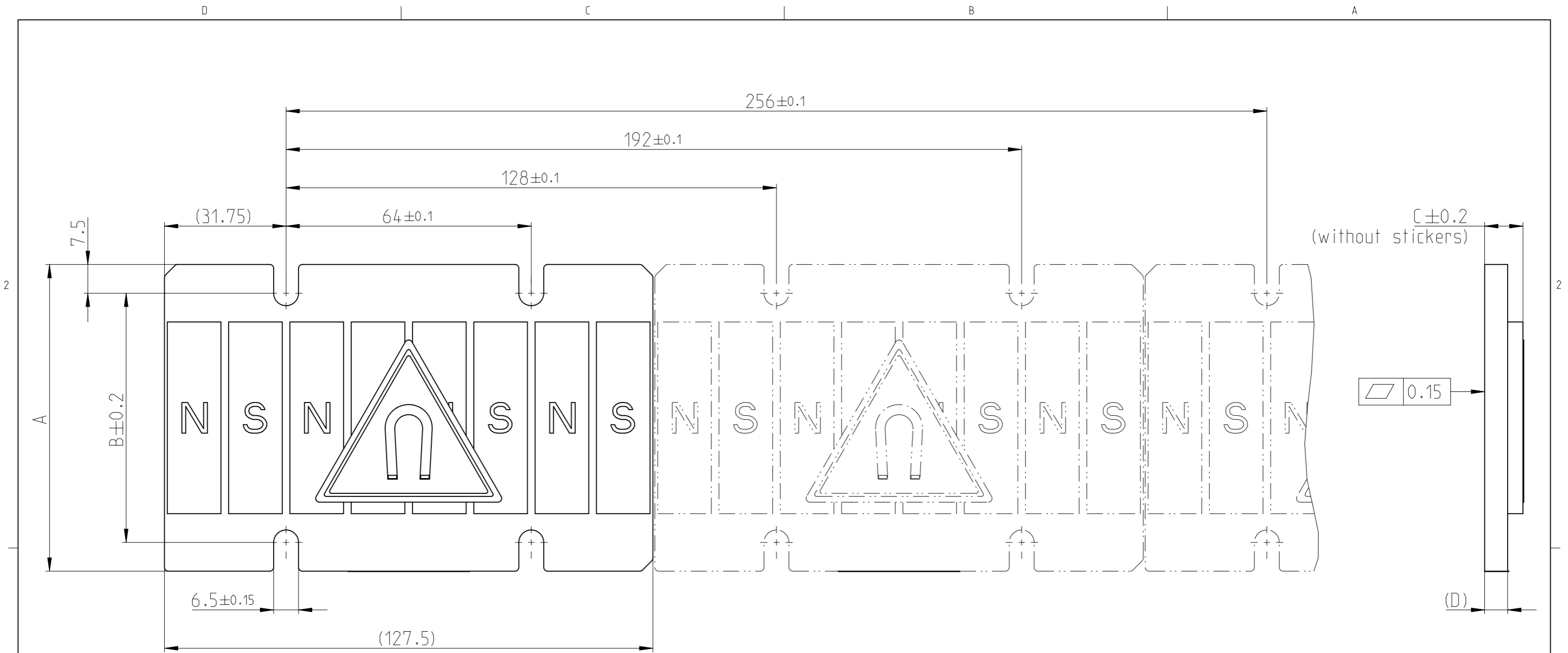


04 A	Text : -			Identification number					
Release n° : C050195-05		Phase: Serial production							
Material : Fundamental tolerancing principle ISO 8015 and general tolerances ISO 2768-mK									
Treatment:		Nominal dimension	Linear	Radius Chamfer		Nominal dimension	⊥	≡	↗
Edges of undefined shape ISO 13715		0,5 ... 3	±0.1	± 0.2		> 10 ... 10	0.05	0.4	0.6
		> 3 ... 6	±0.1	± 0.5		> 30 ... 30	0.1	0.4	0.6
		> 6 ... 30	±0.2	± 1.0		> 30 ... 100	0.2	0.4	0.6
		> 30 ... 120	±0.3	± 2.0		> 100 ... 300	0.4	0.6	0.6
		> 120 ... 400	±0.5	± 4.0		> 300 ... 1000	0.6	0.8	0.8
		> 400 ... 1000	±0.8			> 1000 ... 3000	0.8	1	1
		> 1000 ... 2000	±1.2		> 120 ... 400	± 10'			

Ironcore linear motor LMA			Drawn	Checked	Approved
Moteur Linéaire avec fer LMA			Fernandes	Szczukiew	
			03.01.2017		13.02.2017

	ETEL S.A. 2112 Möllers SWITZERLAND	This document is the property of ETEL S.A. and is submitted in confidence. Disclosure, reproduction or publication without written authorization is prohibited.	Projection	Size	Scale	Old n°:	Version	Revision	Sheet	Page
				A2	1:1	1107403	04	A	01	1

Original Document number



Designation	A	B	C	D
MWD030-0128	60	45	10	6
MWD050-0128	80	65	12	8
MWD070-0128	100	85	12	8
MWD100-0128	130	115	14	10

02 A	Text : -				-					
	Release n° : C050530-05	Phase: Serial production			Identification number					
Material :	Fundamental tolerancing principle ISO 8015 and general tolerances ISO 2768-mK									
Treatment:	Nominal dimension	Linear	Radius Chamfer		Nominal dimension					
Edges of undefined shape ISO 13715	0,5 ... 3	±0.1	± 0.2		... 10	0.05	0.4	0.6	0.2	
	> 3 ... 6	±0.1	± 0.5		Lks	> 10 ... 30	0.1	0.4		0.6
	> 6 ... 30	±0.2	± 1.0		> 30 ... 100	0.2	0.4	0.6		
	> 30 ... 120	±0.3	± 2.0		> 100 ... 300	0.4	0.6	0.6		
	> 120 ... 400	±0.5	± 4.0		> 300 ... 1000	0.6	0.8	0.8		
	> 400 ... 1000	±0.8			> 1000 ... 3000	0.8	1	1		
	> 1000 ... 2000	±1.2								
					Drawn	Checked	Approved			
					Fernandes		Szcukiew			
					12.01.2017		13.01.2017			
	ETEL S.A. 2112 Môtiers SWITZERLAND	This document is the property of Etel S.A. and is submitted in confidence. Disclosure, reproduction or publication without written authorization is prohibited.	Projection	Size	Scale	Old n°: 0348M-170-01D	Version	Revision	Sheet	Page
				A3	1:1	1090088	02	A	01	1/1
			Original	Document number						