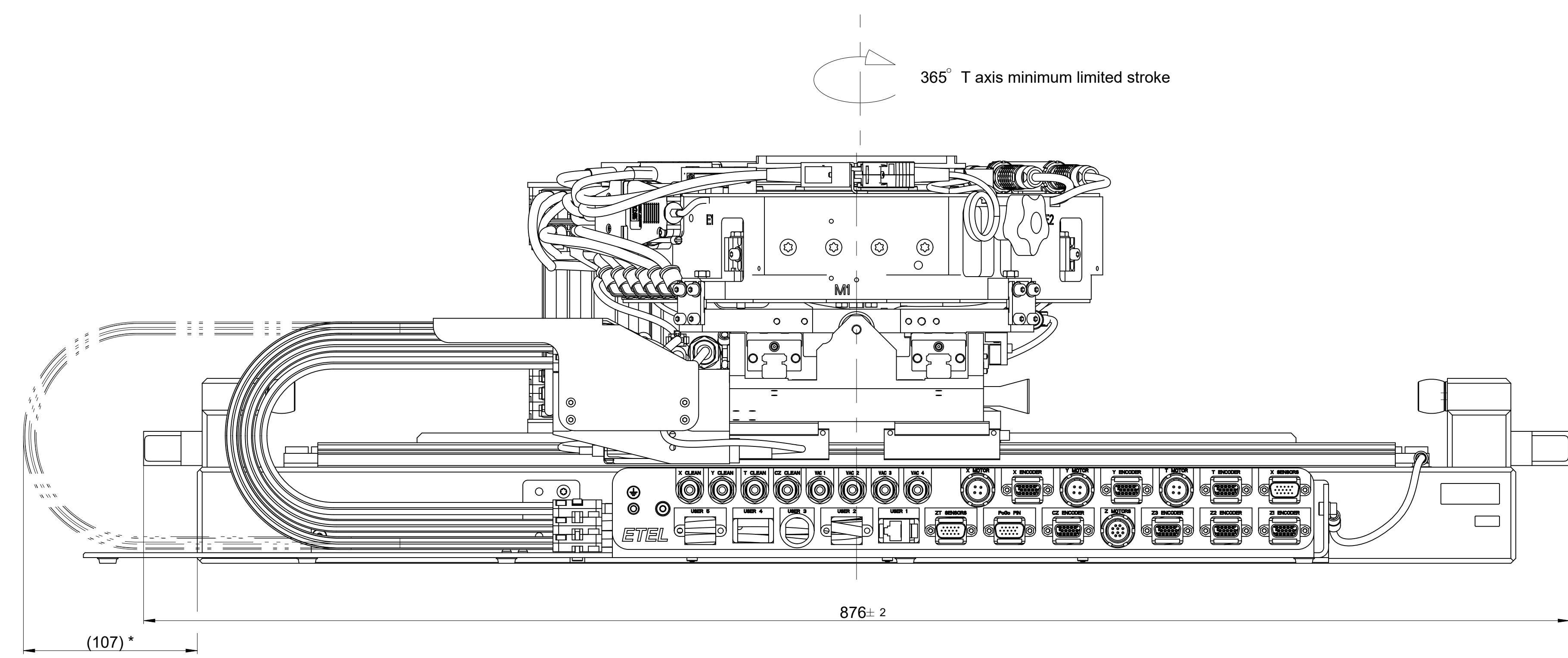
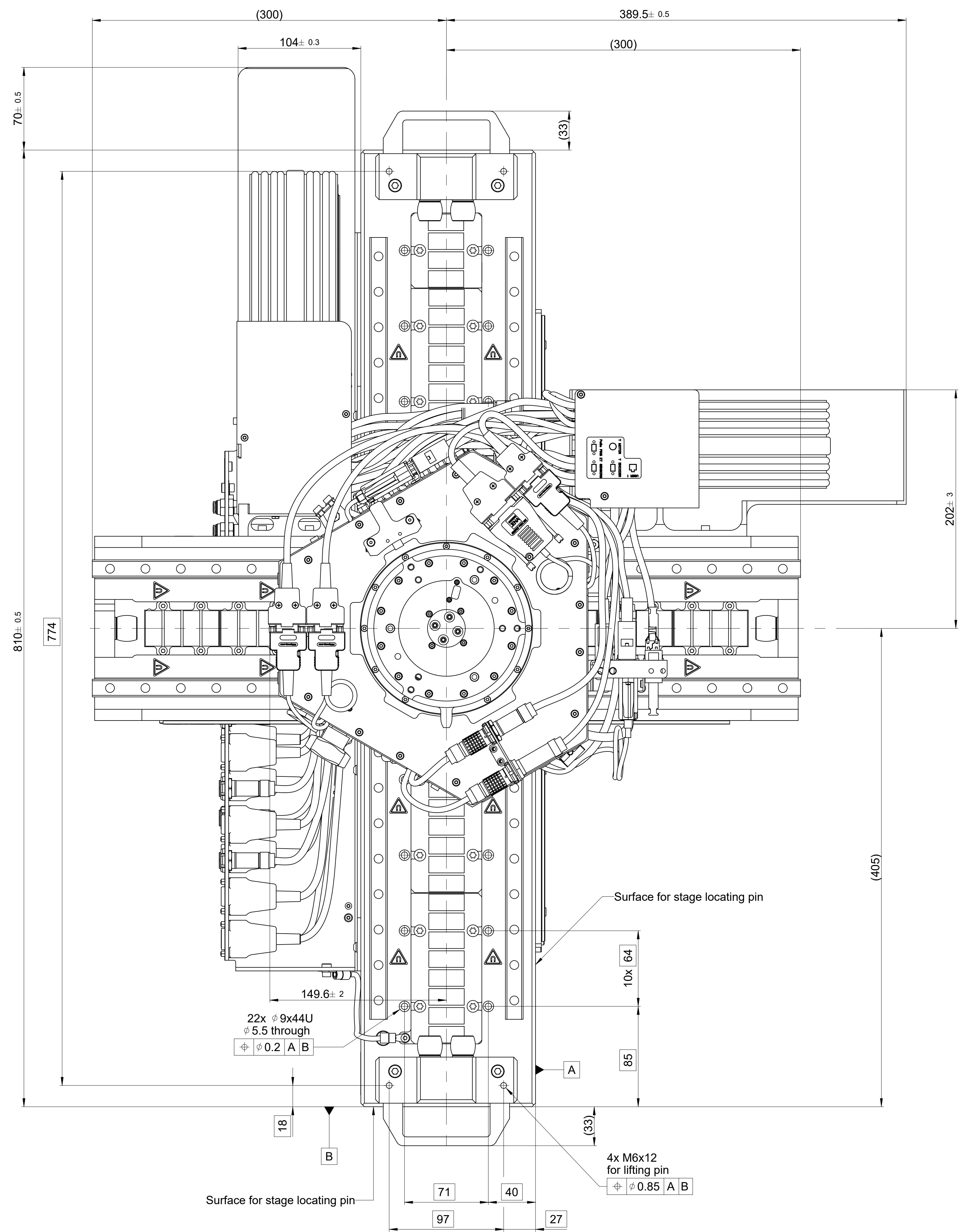


* Dimensions with cables at the end of the strokes



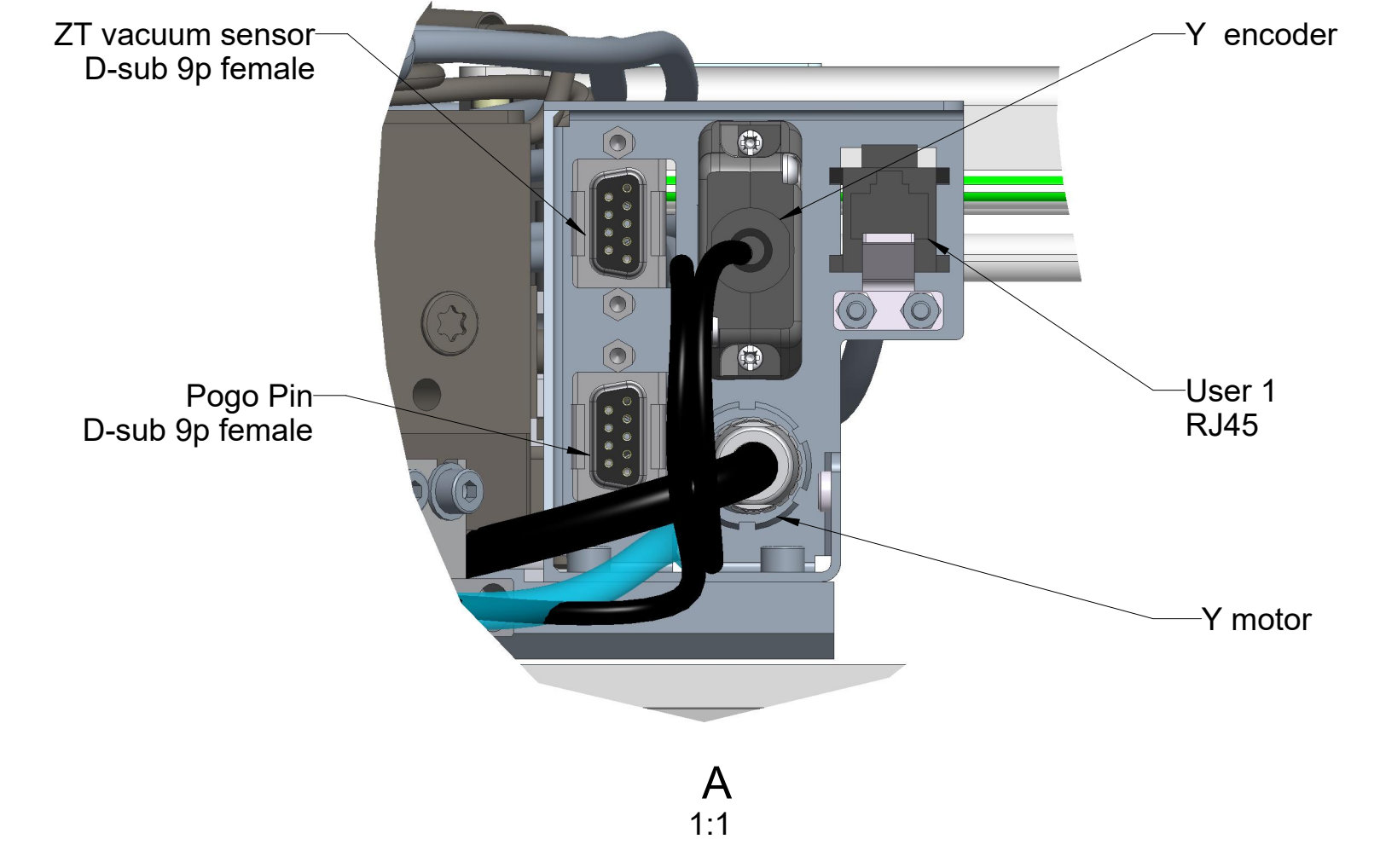
Y AXIS

Stroke 410mm Minimum
(434mm when bumper compressed)

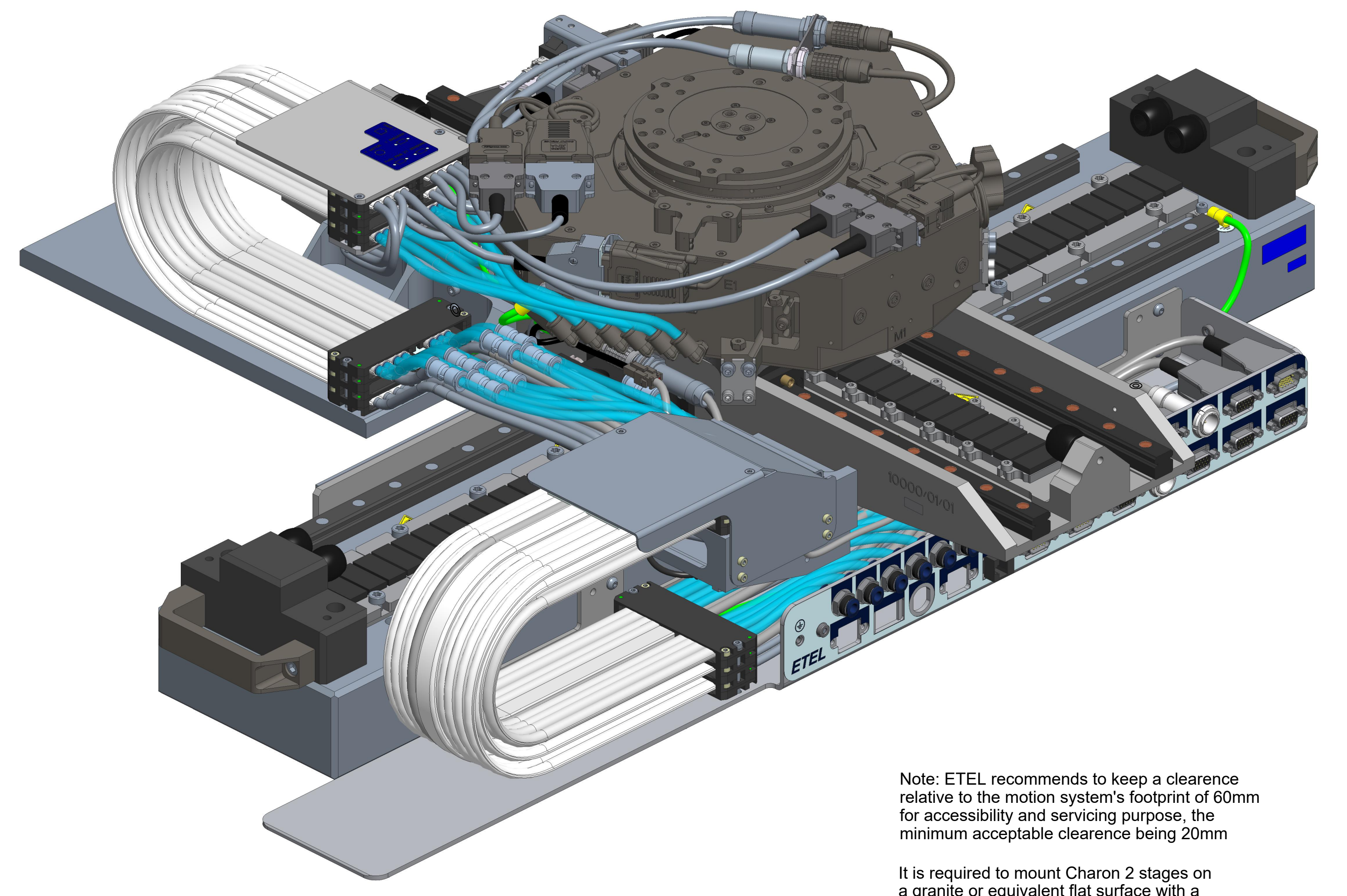
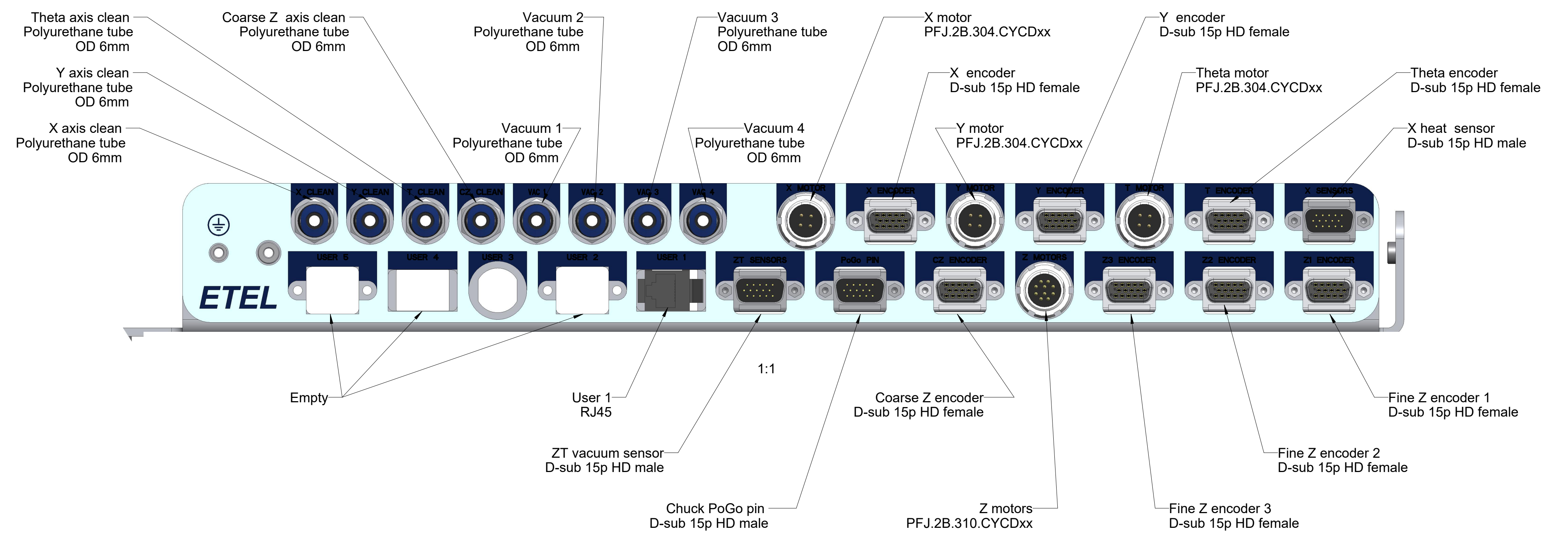


Stroke 475mm Minimum
(497mm when bumper compressed)

X AXIS



Front panel connections

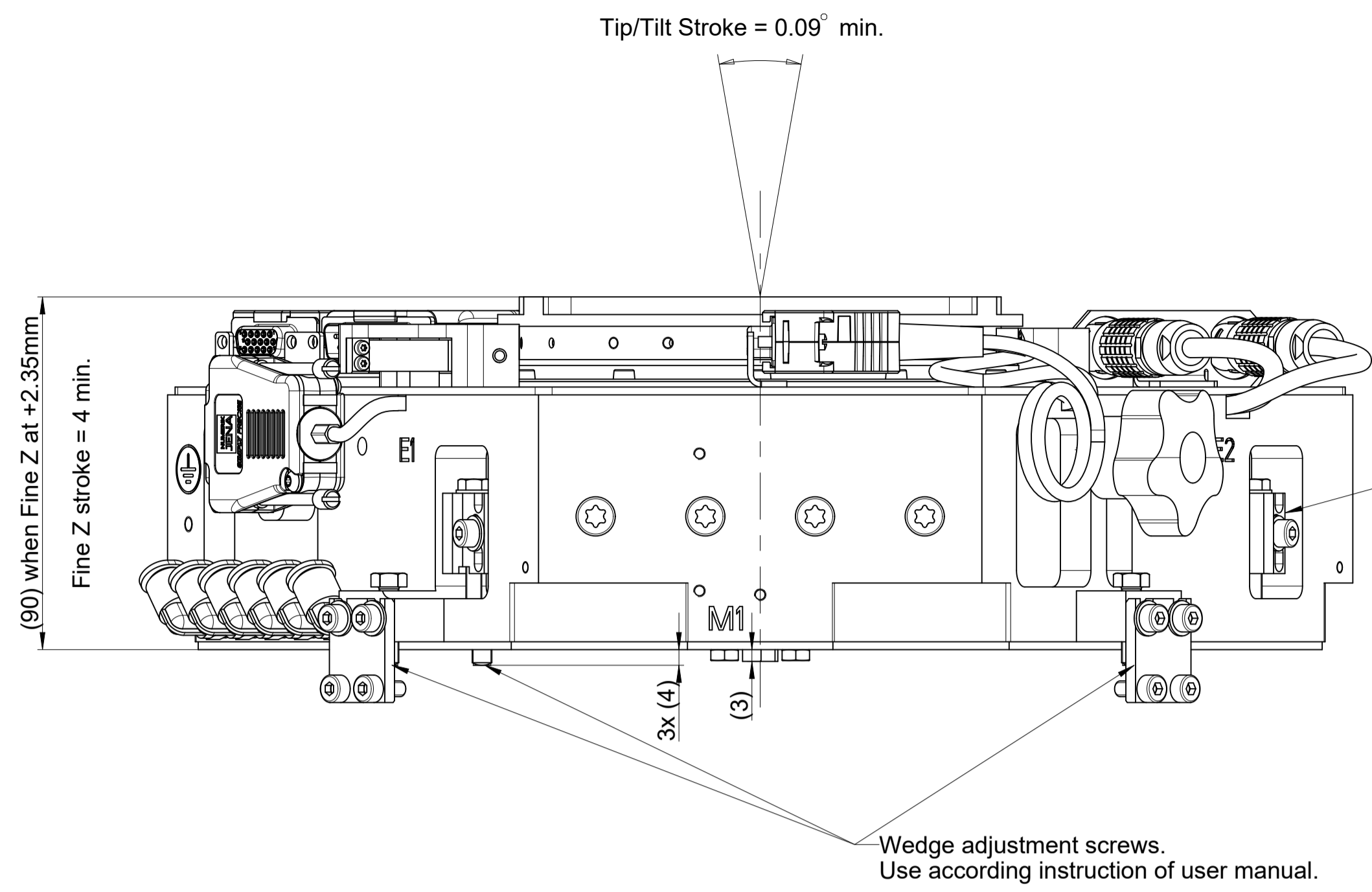


Note: ETEL recommends to keep a clearance relative to the motion system's footprint of 60mm for accessibility and servicing purpose, the minimum acceptable clearance being 20mm

It is required to mount Charon 2 stages on a granite or equivalent flat surface with a flatness inferior or equal to 3 microns

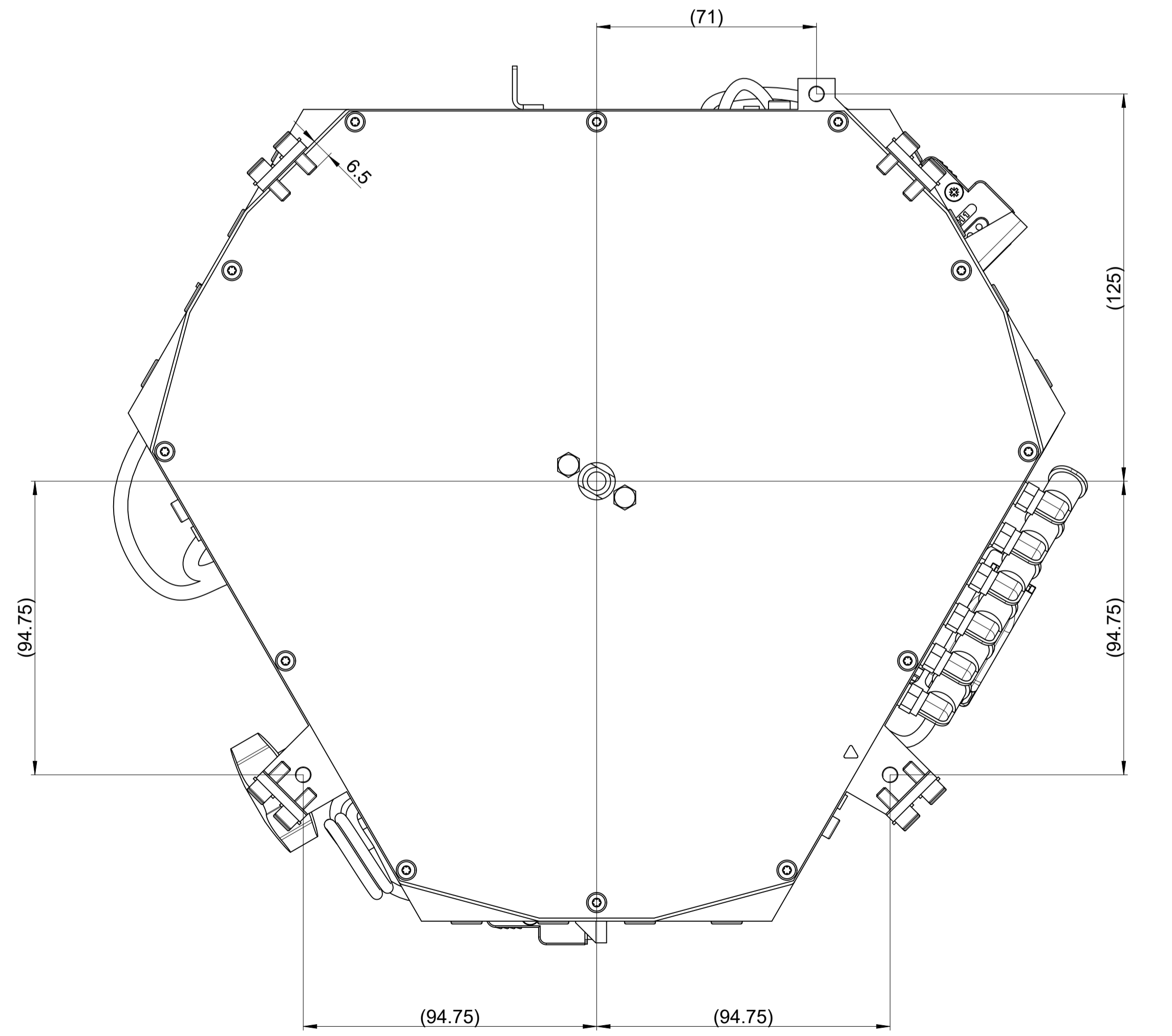
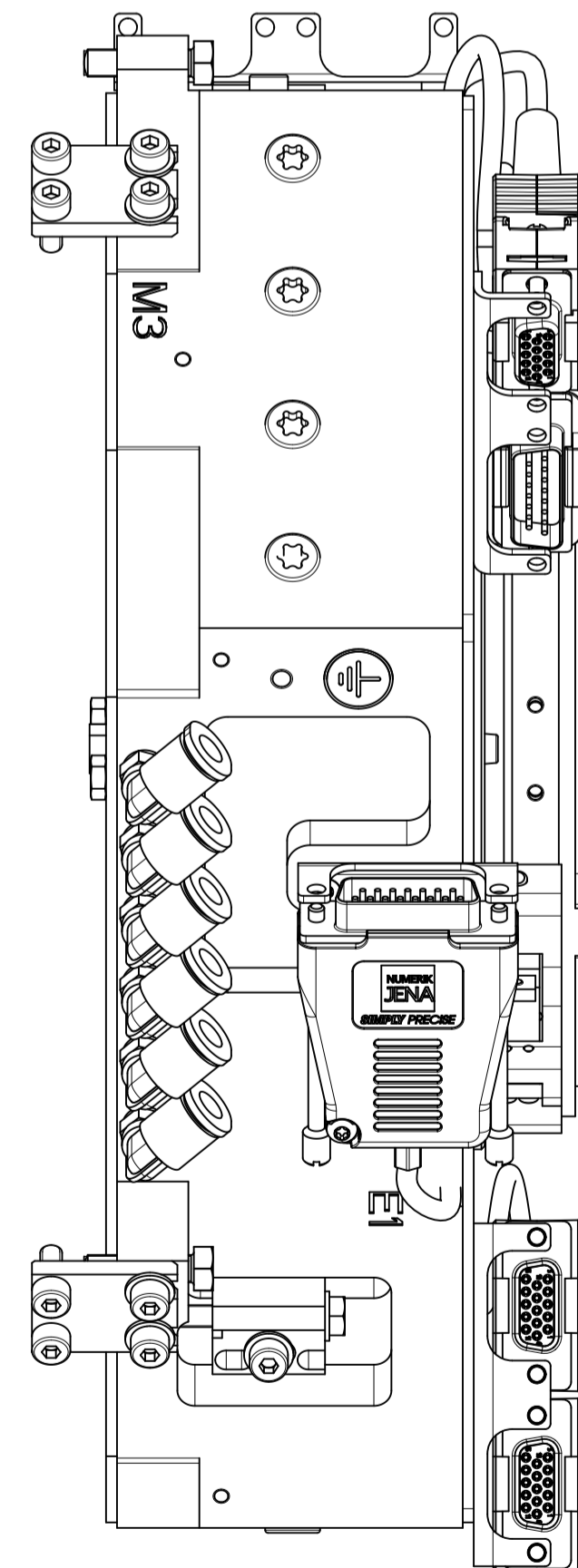
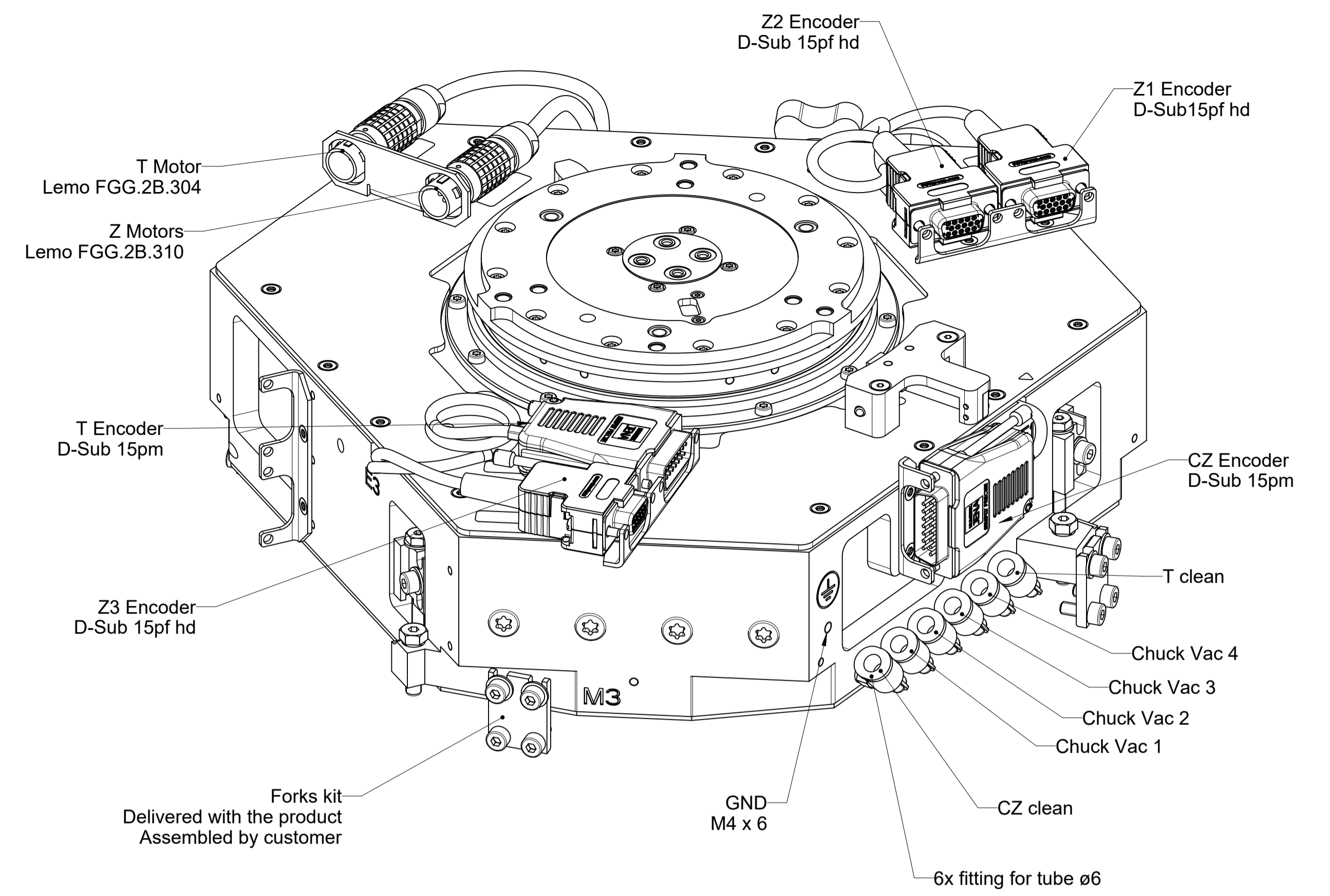
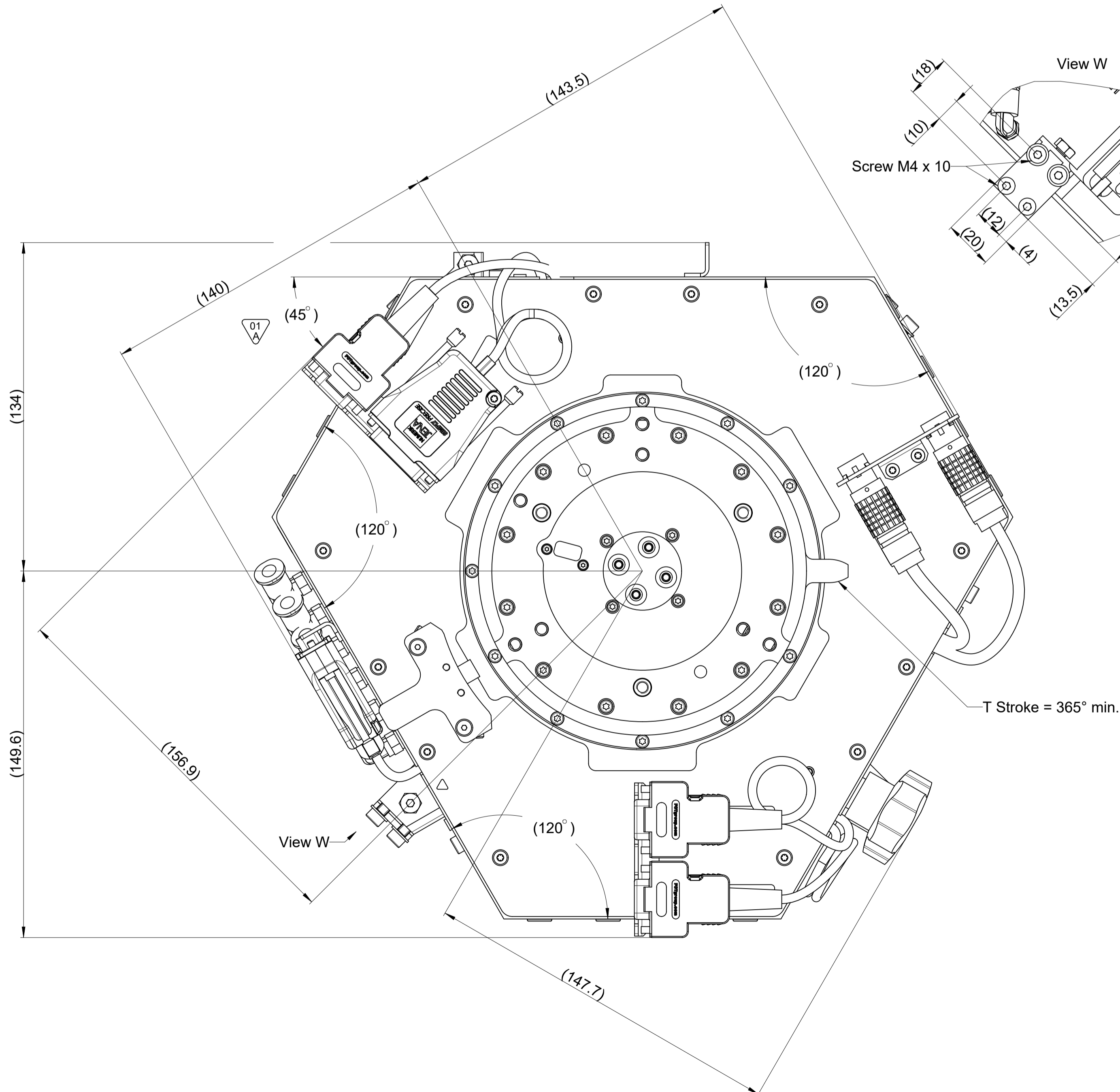
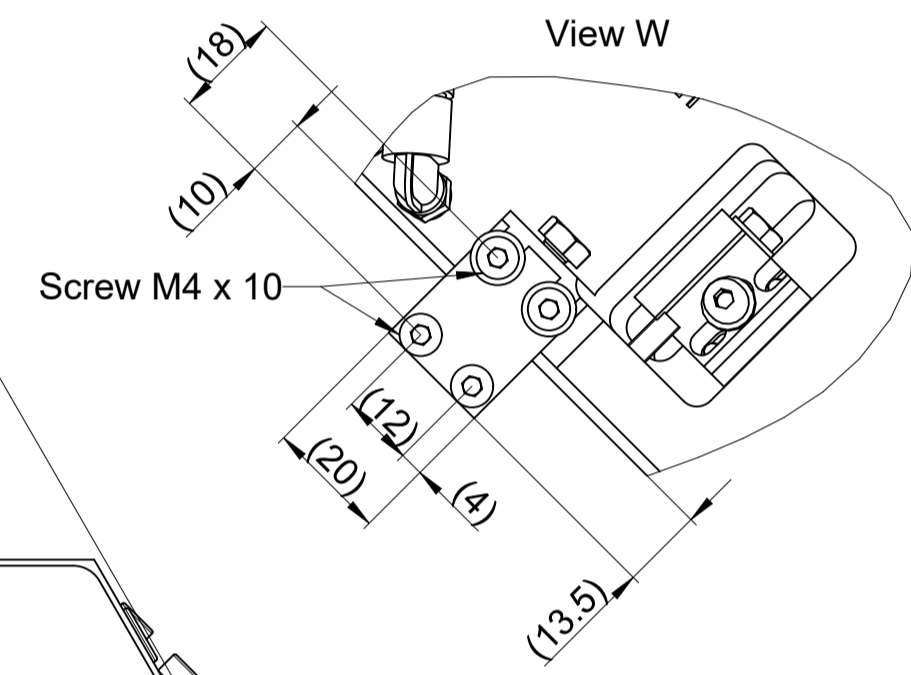
Options table	
Theta limited stroke	365°
Wobble adjustment kit	No
Vacuum kit	No Vacuum 2
Forks kit	Integrated
(Pogo pin) Connector rotative kit	No

Text:		ID number: 1373221-01
Change No: C16022008		Released: 27-03-22
Original drawing: ASME-NNNN-07-0475-0410xx-XYZ3T STACKED SYSTEM		Tolerances as per ISO 8015 : 2011
Scale: 1:1 mm		Tolerances series ISO 8015 : 2011
Dimensions in mm: 1:2 A0		Dimensions without tolerance: ± 0.2
The reproduction, distribution and utilization of this document as well as the communication of its contents to others without express authorization is prohibited. Offenders will be held liable for the payment of damages. All rights reserved in the event of a patent, utility model or design. (ISO 16016)		
ETEL S.A. 2112 Môtte SWITZERLAND		1373187-02-A-01

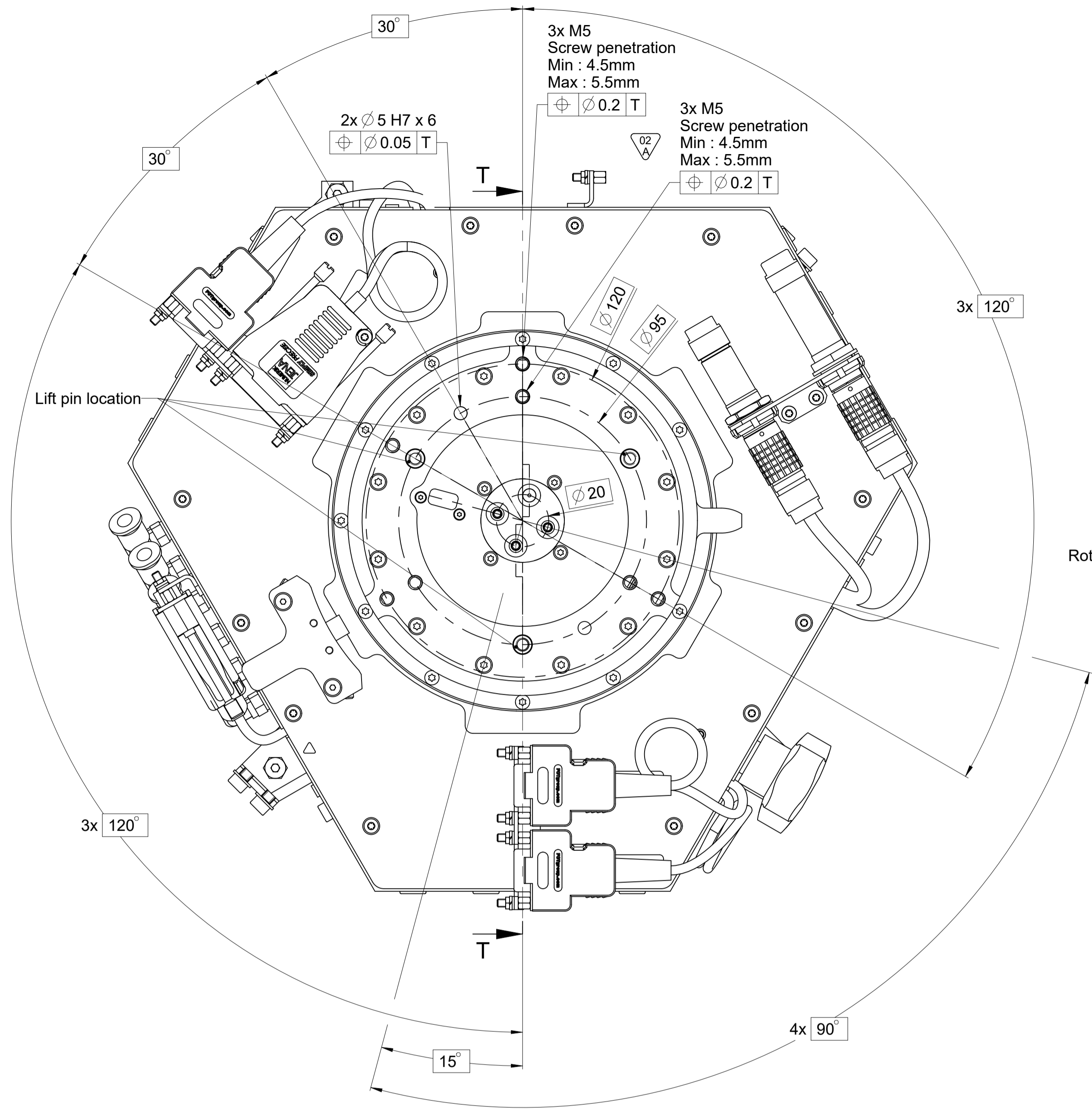


Fine Z top hardstop adjustment system.
Use according instruction of user manual.

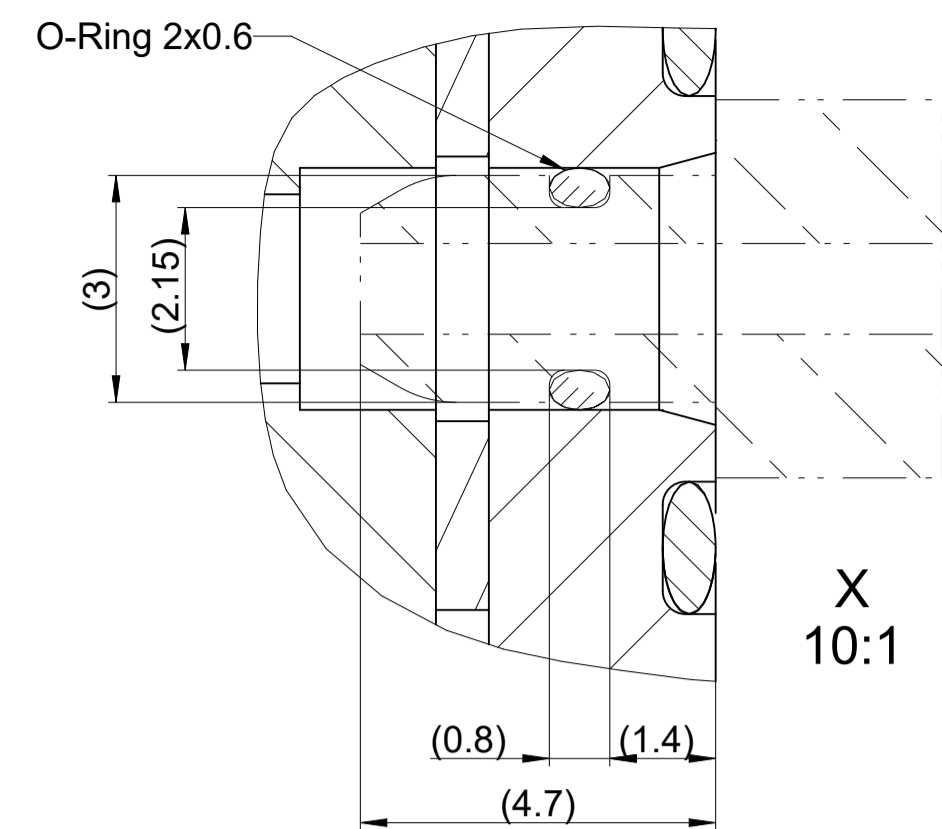
Wedge adjustment screws.
Use according instruction of user manual.



Text: Add note : Screw penetration		ID number: 1324806-
Original drawing		Change No. C139467-10
Scale	Format	Released: 17-Jun-22
Dimensions in mm	4:5 A1	Tolerances as per ISO 8015 : 2011 Tolérances selon ISO 8015 : 2011
Mating Dimensions / Cotes d'encastrement		Dimensions without tolerance Dimensions sans tolérances
The reproduction, distribution and utilization of this document as well as the communication of its contents to others without express authorization is prohibited. Offenders will be held liable for the payment of damages. All rights reserved in the event of the grant of a patent, utility model or design. (ISO 18015)		
ETEL ETEL S.A. 2112 Möllers SWITZERLAND		Version Revision Sheet Page 1326462-02 - A-01 1 of 3

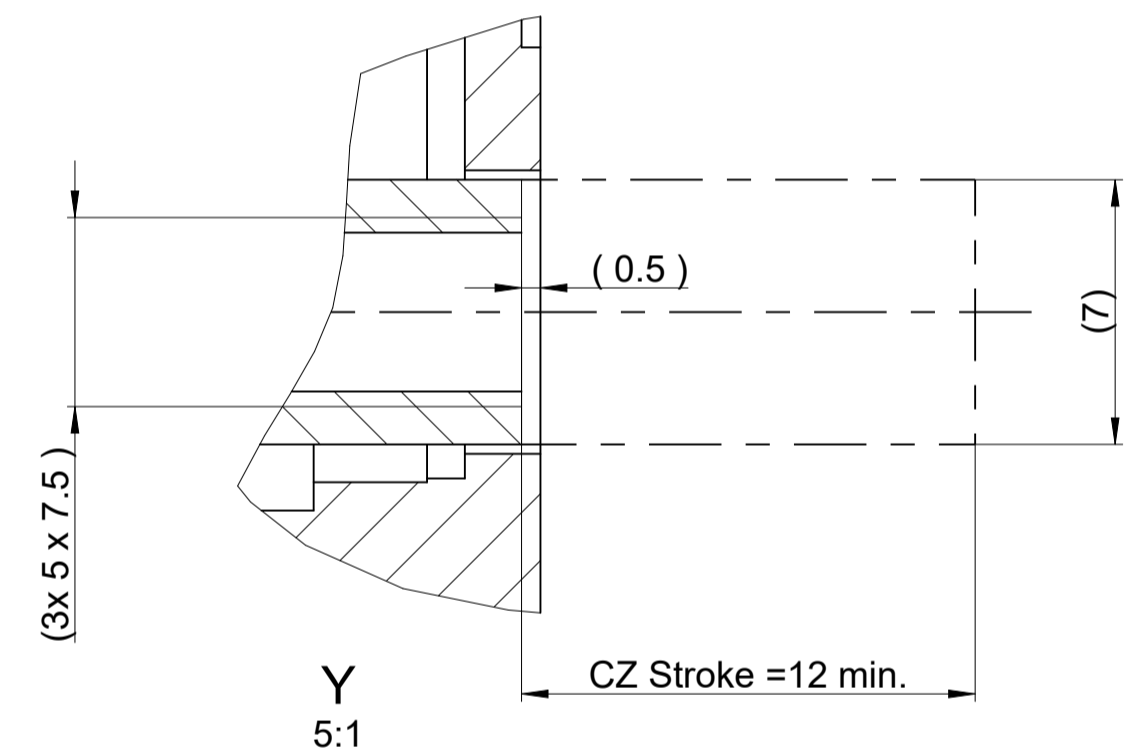
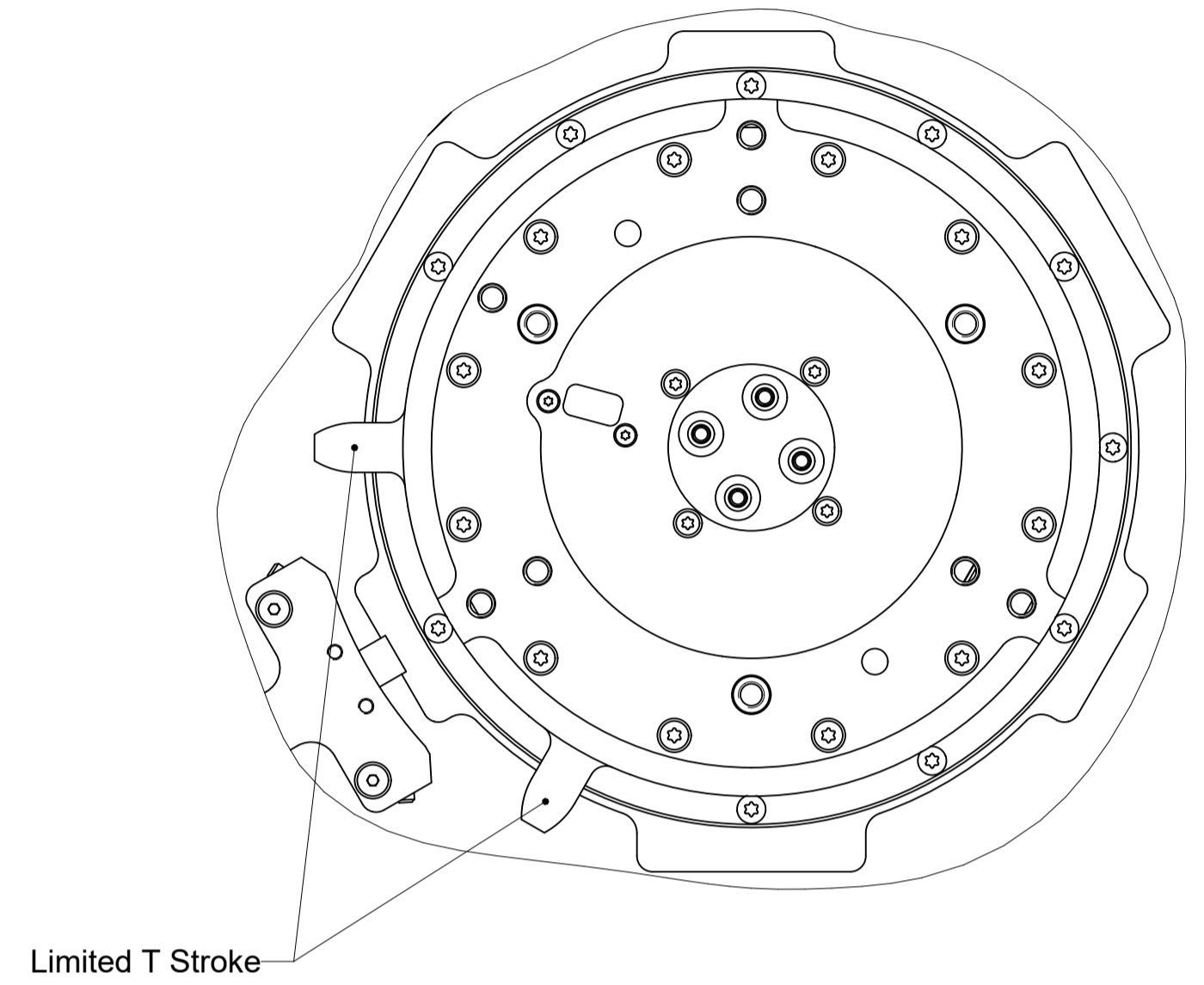
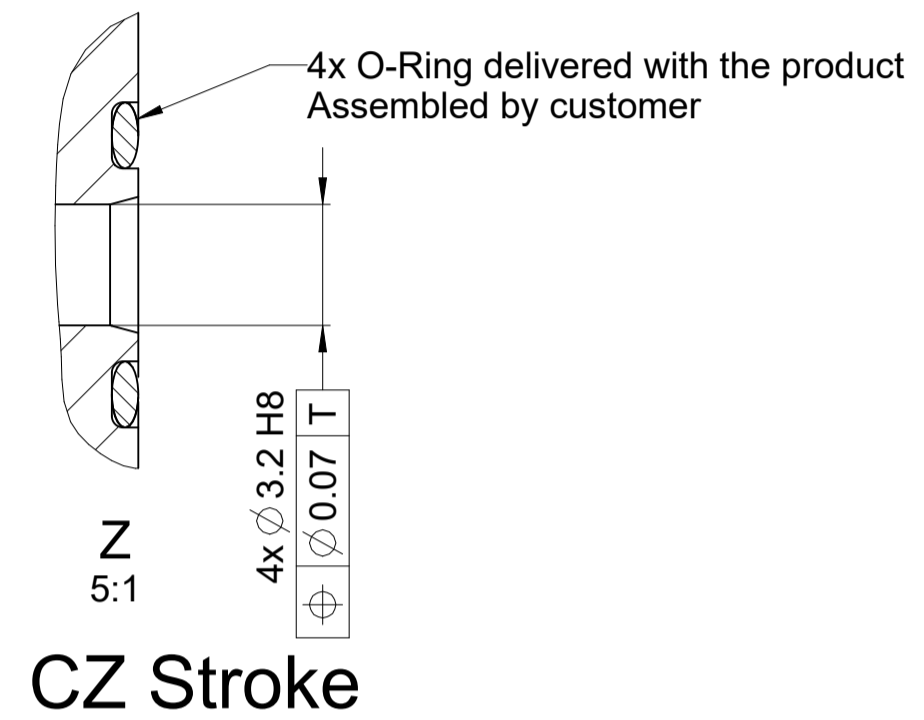
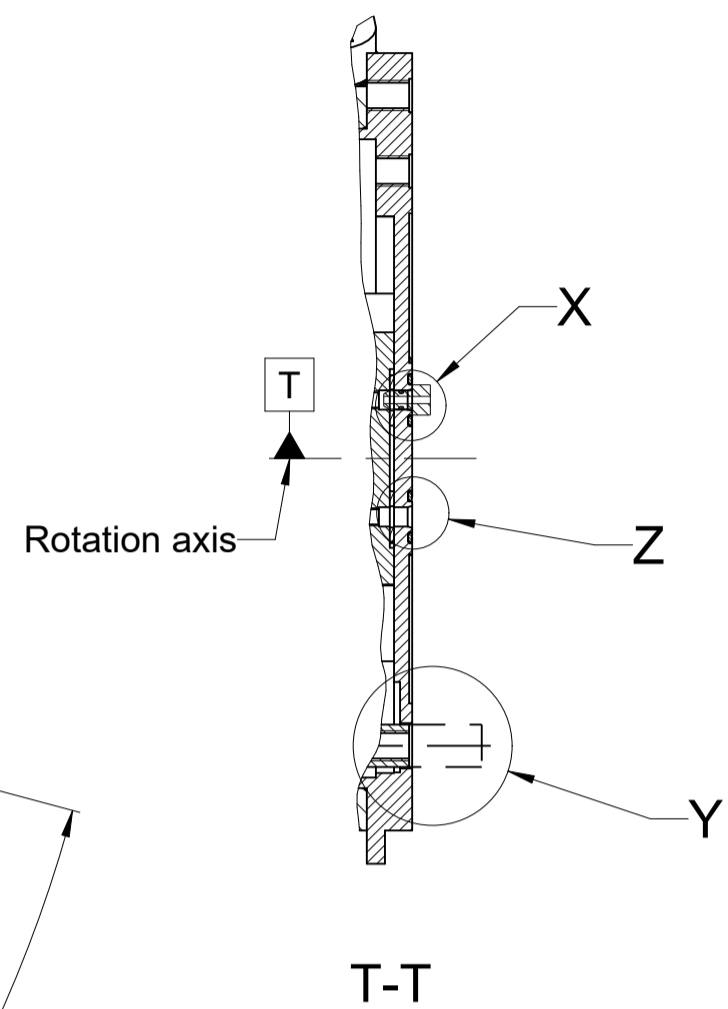


Customer fitting or part of chuck

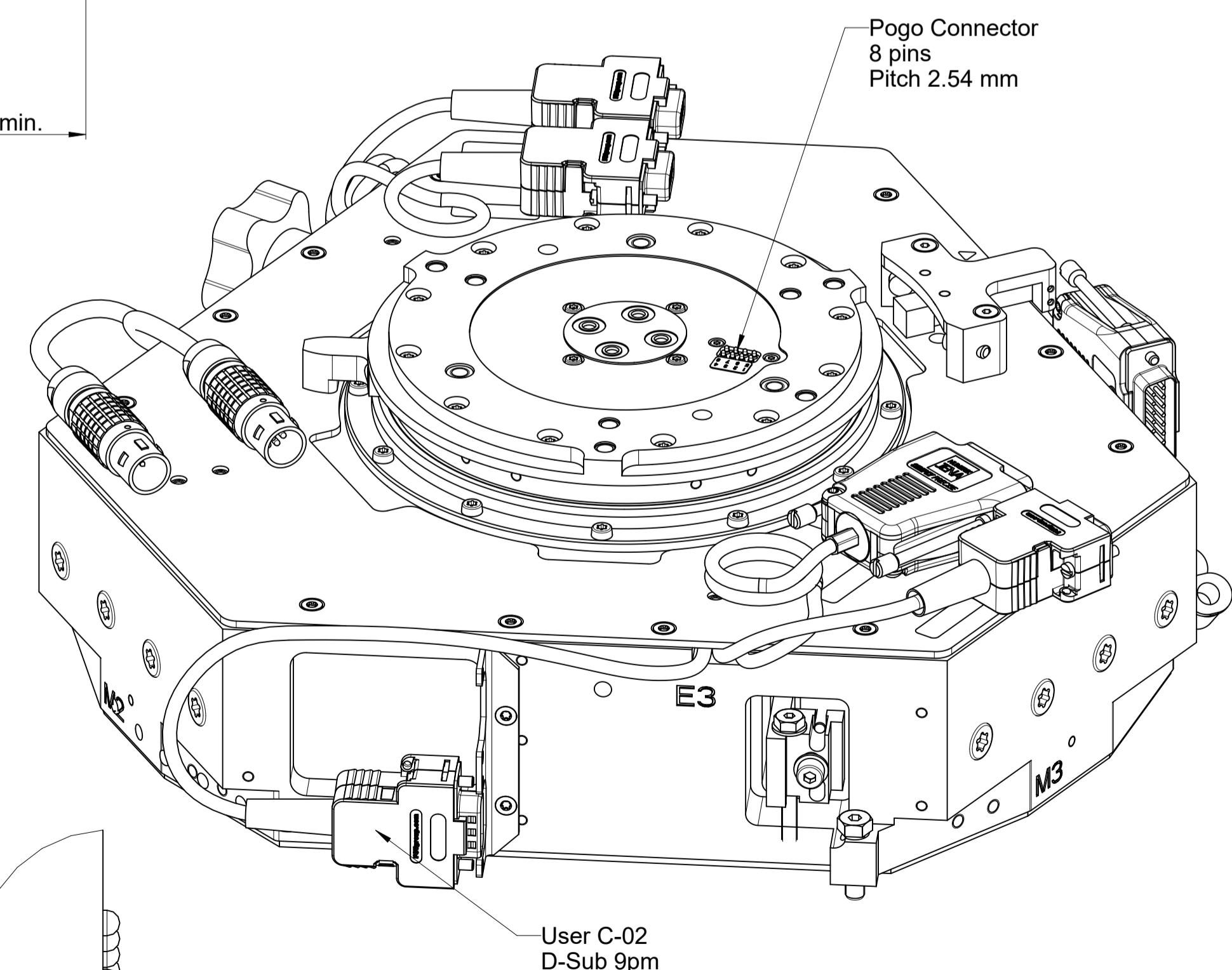
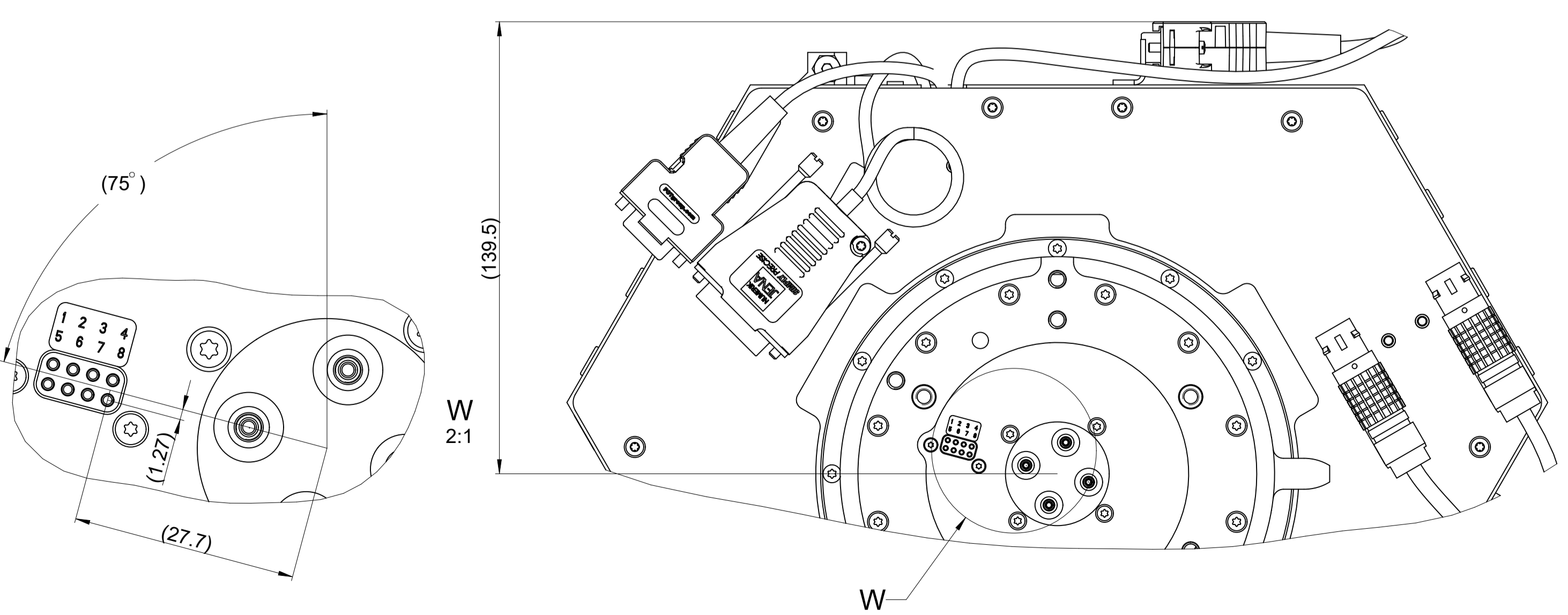


T Stroke limited

- Option 65° min.
- Option 125° min.
- Option 185° min.
- Option 245° min.
- Option 305° min.

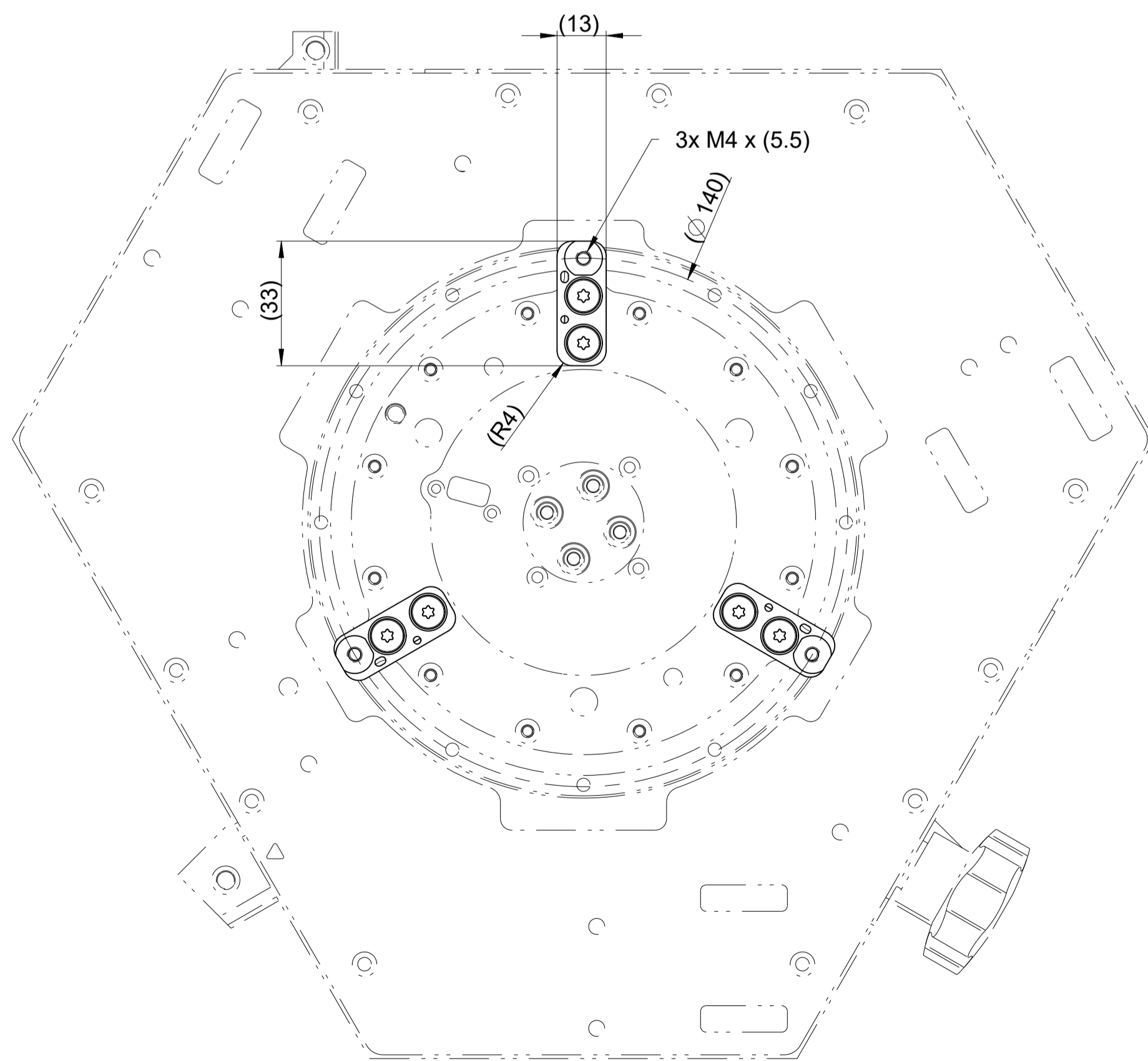
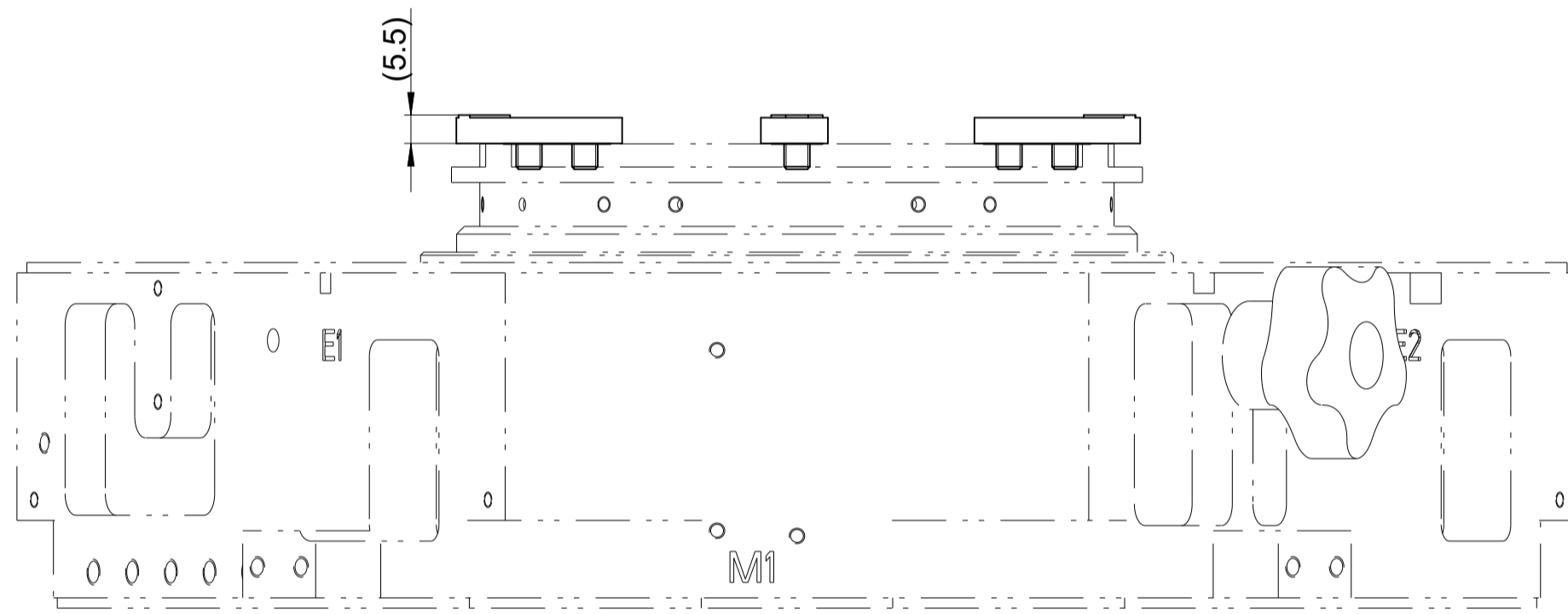
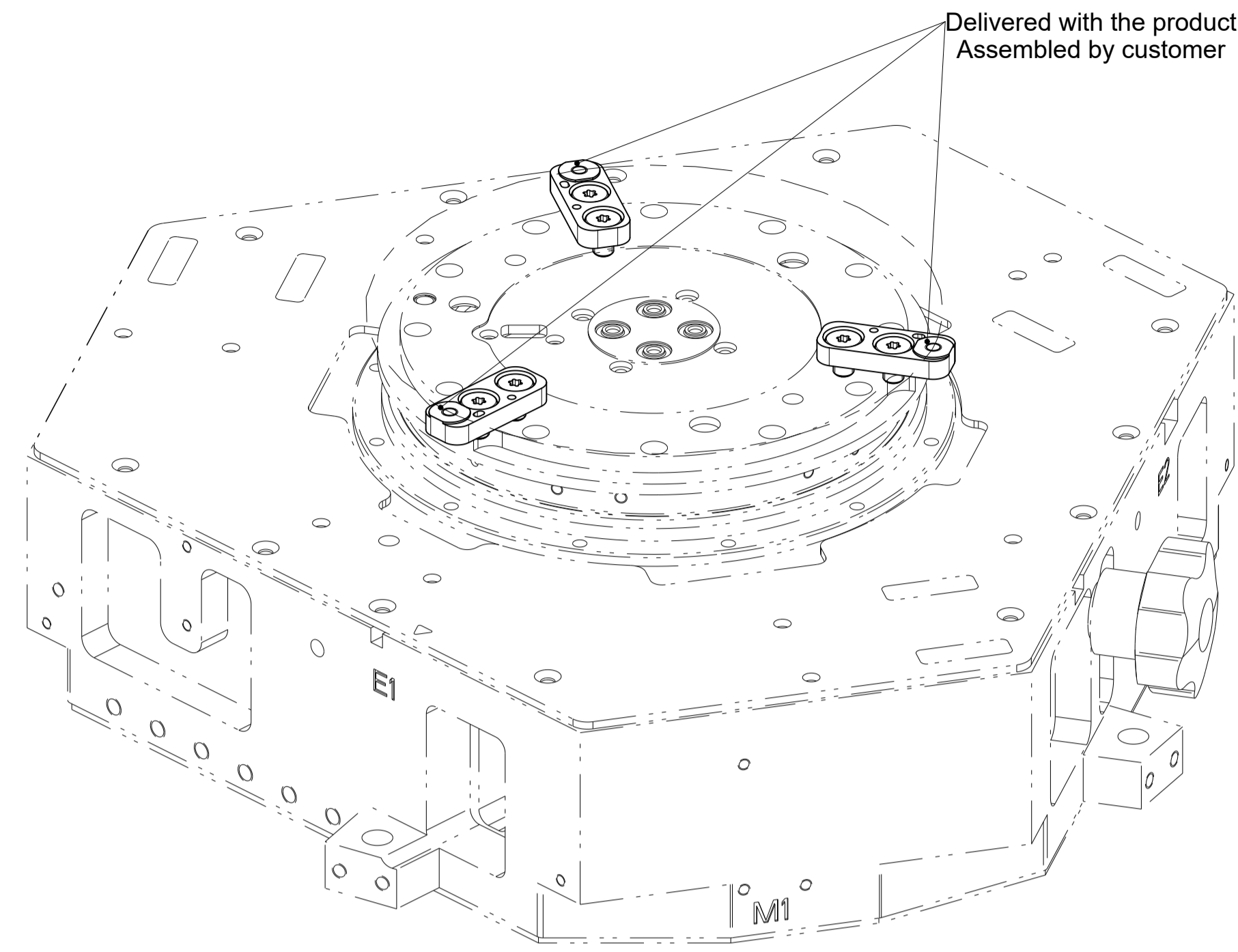


Pogo Connector 8 Pins on rotative part

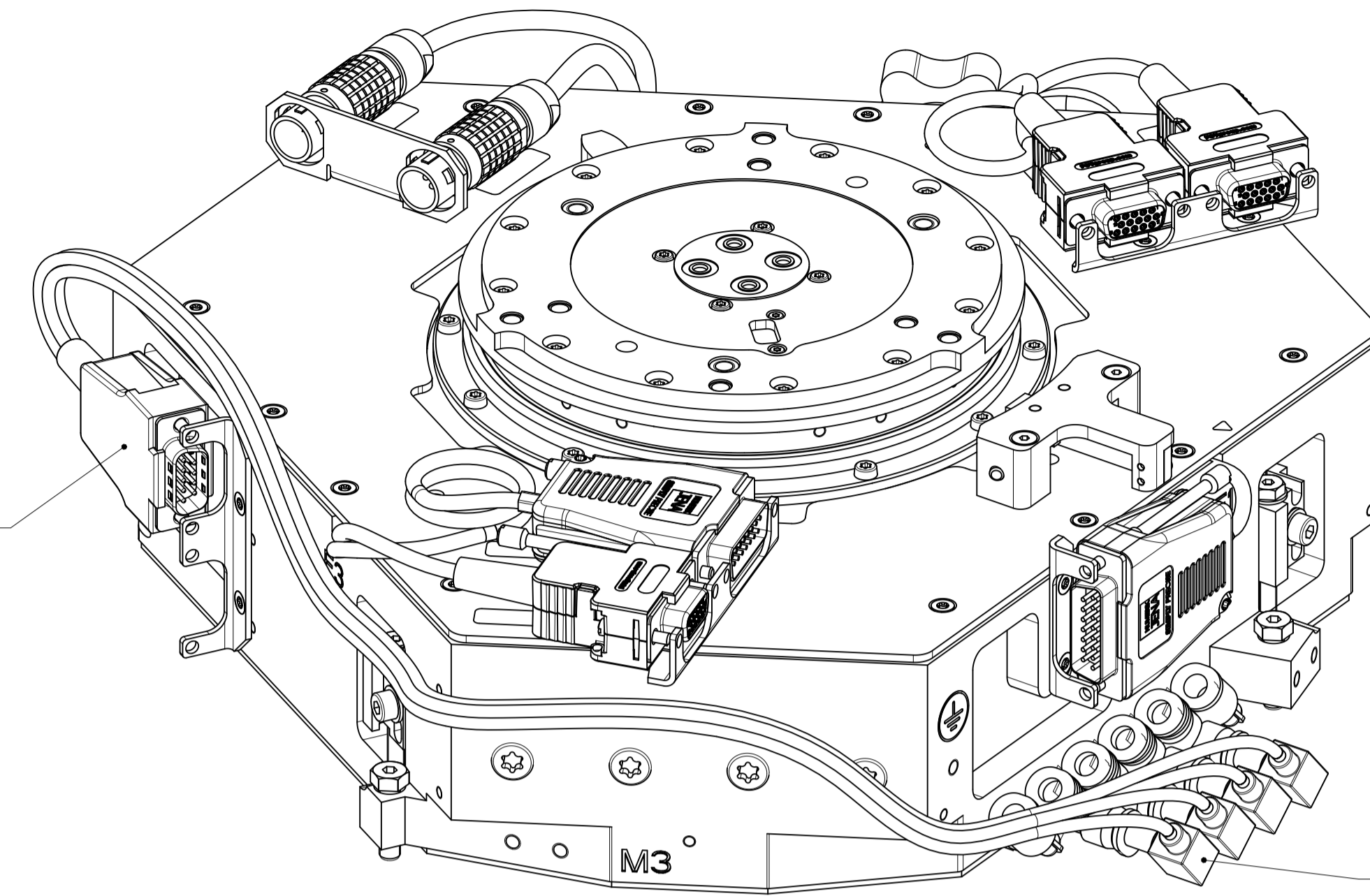


Text: Add note: Screw penetration		ID number: 1324806-
Original drawing		Change No. C139467-10
Scale	Format	Released: 17-Jun-22
Dimensions in mm	4:5 A1	Tolerances as per ISO 8015: 2011 Tolérances selon ISO 8015: 2011
Mating Dimensions / Coles d'encrochement		Dimensions without tolerance Dimensions sans tolérances
The reproduction, distribution and utilization of this document as well as the communication of its contents to others without express authorization is prohibited. Offenders will be held liable for the payment of damages. All rights reserved in the event of the grant of a patent, utility model or design. (ISO 18015)		
ETEL ETEL S.A. 2112 Möllers SWITZERLAND		Version Revision Sheet Page 1326462-02 - A-01 2 of 3

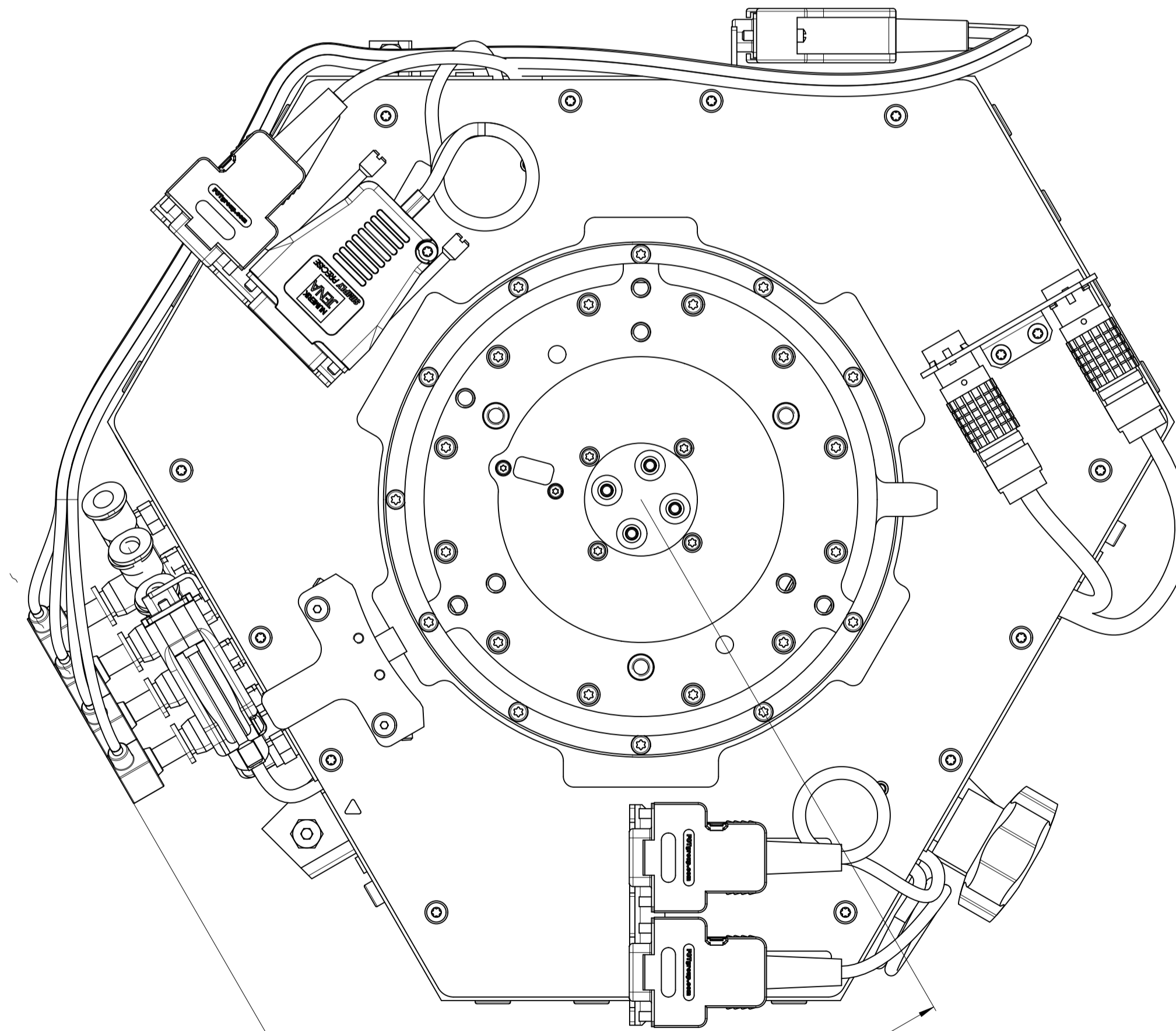
Wobble adjustment kit



Vacuum 2



4x Vacuum sensors for :
 Chuck Vac 1
 Chuck Vac 2
 Chuck Vac 3
 Chuck Vac 4



Text: Add note : Screw penetration		ID number: 1324806-
Change No. C139467-10		Released: 17-Jun-22
Multi axis system Z3TM+ Système multi-axes Z3TM+ Mating Dimensions / Coles d'encrochement		Tolerances as per ISO 8015 : 2011 Tolérances selon ISO 8015 : 2011 Dimensions without tolerance Dimensions sans tolérances
Original drawing Scale: 4:5 Format: A1	Version Revision Sheet Page ETEL S.A. 2112 Möllers SWITZERLAND	
The reproduction, distribution and utilization of this document as well as the communication of its contents to others without express authorization is prohibited. Offenders will be held liable for the payment of damages. All rights reserved in the event of the grant of a patent, utility model or design. (ISO 18015)		1326462-02 - A-01 Document number