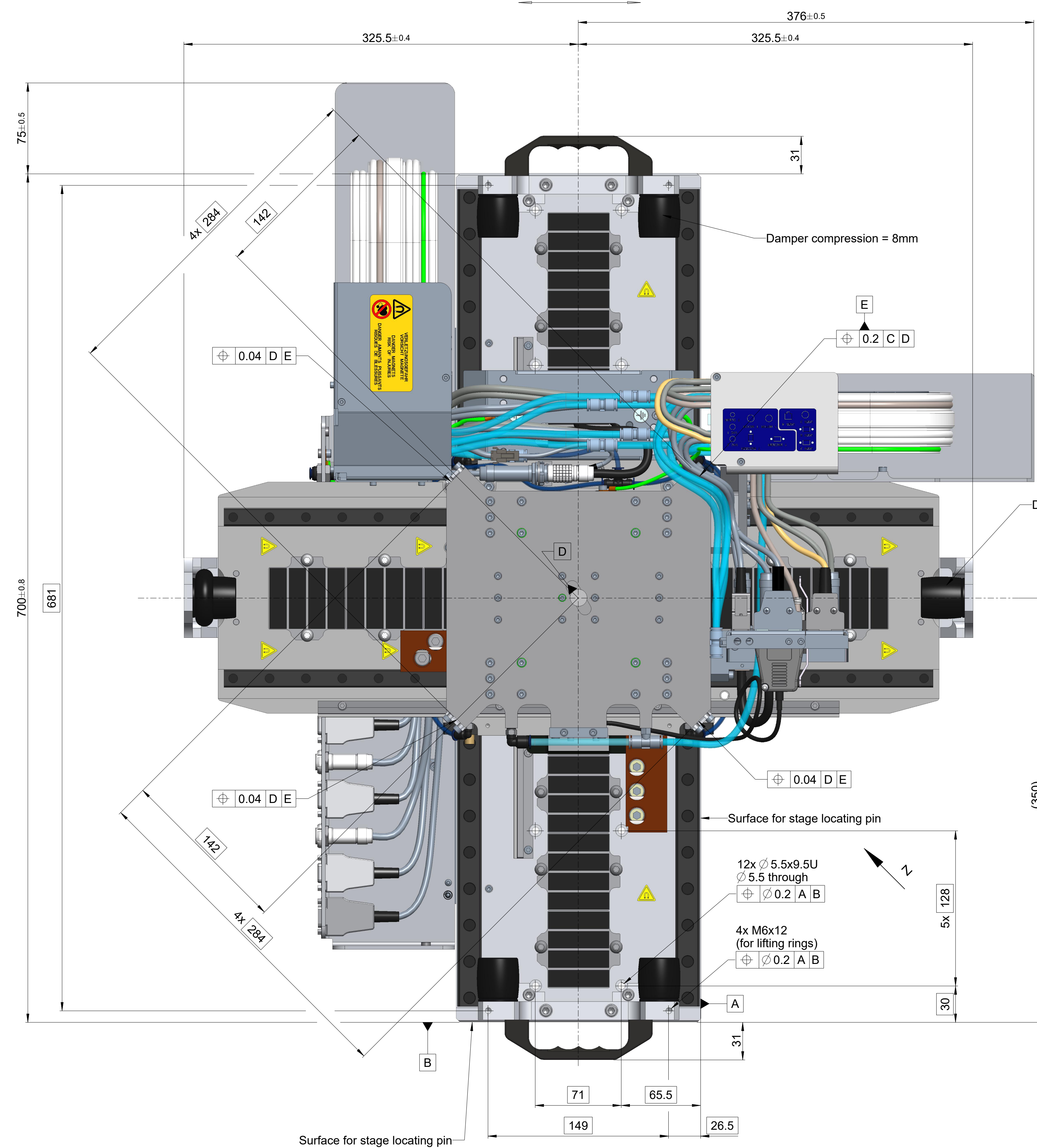
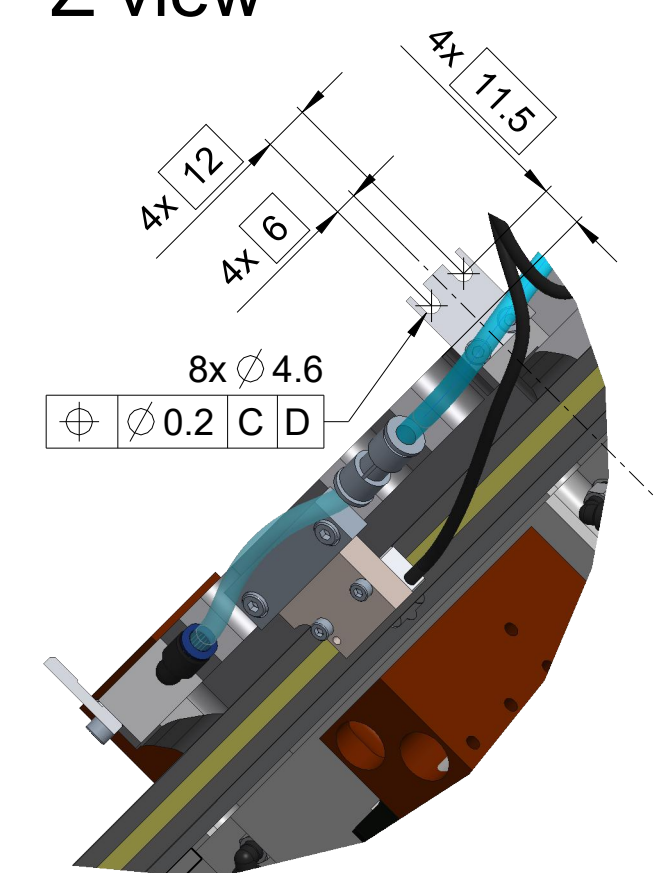


Y AXIS

Stroke 355mm Minimum

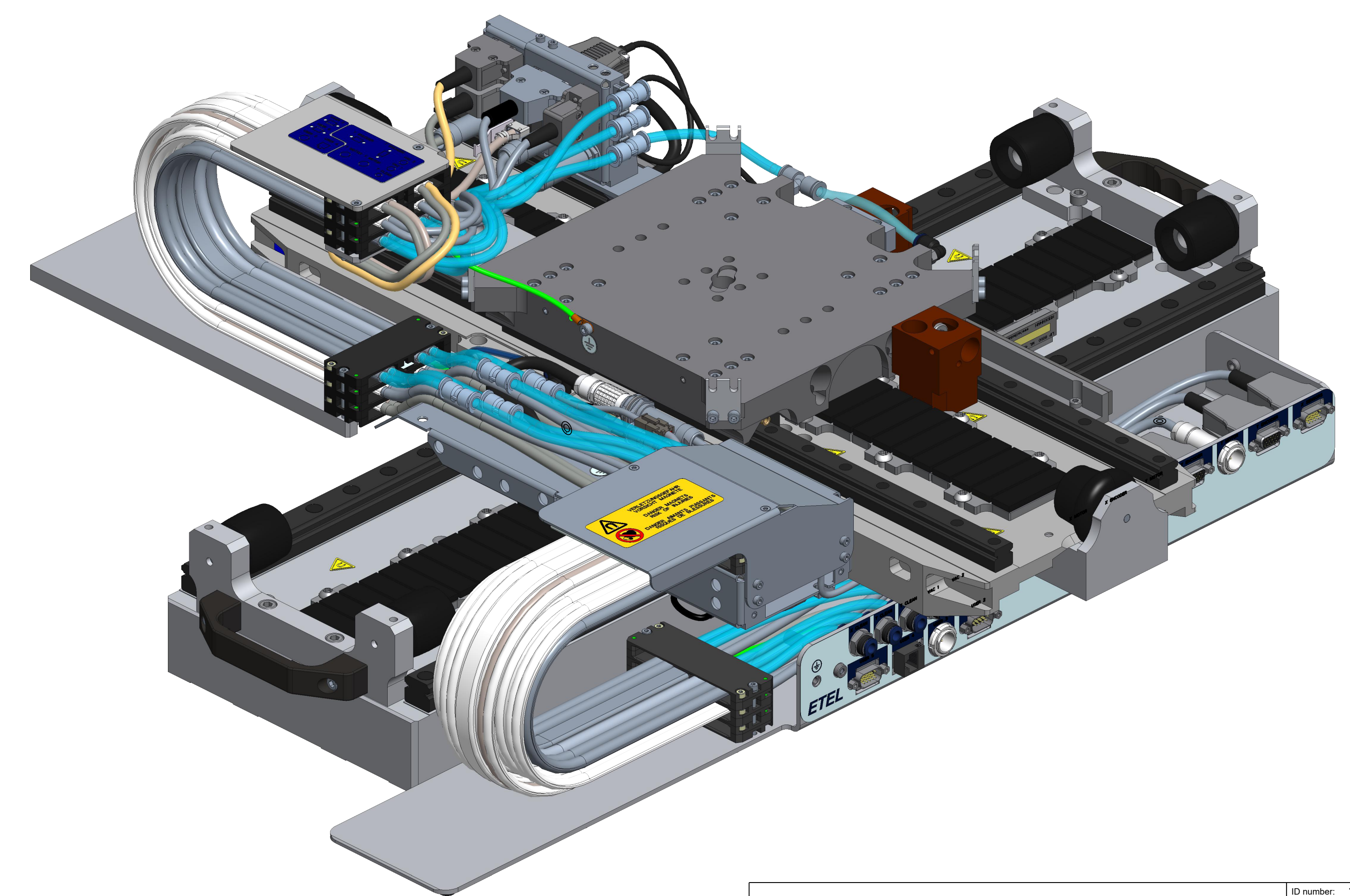
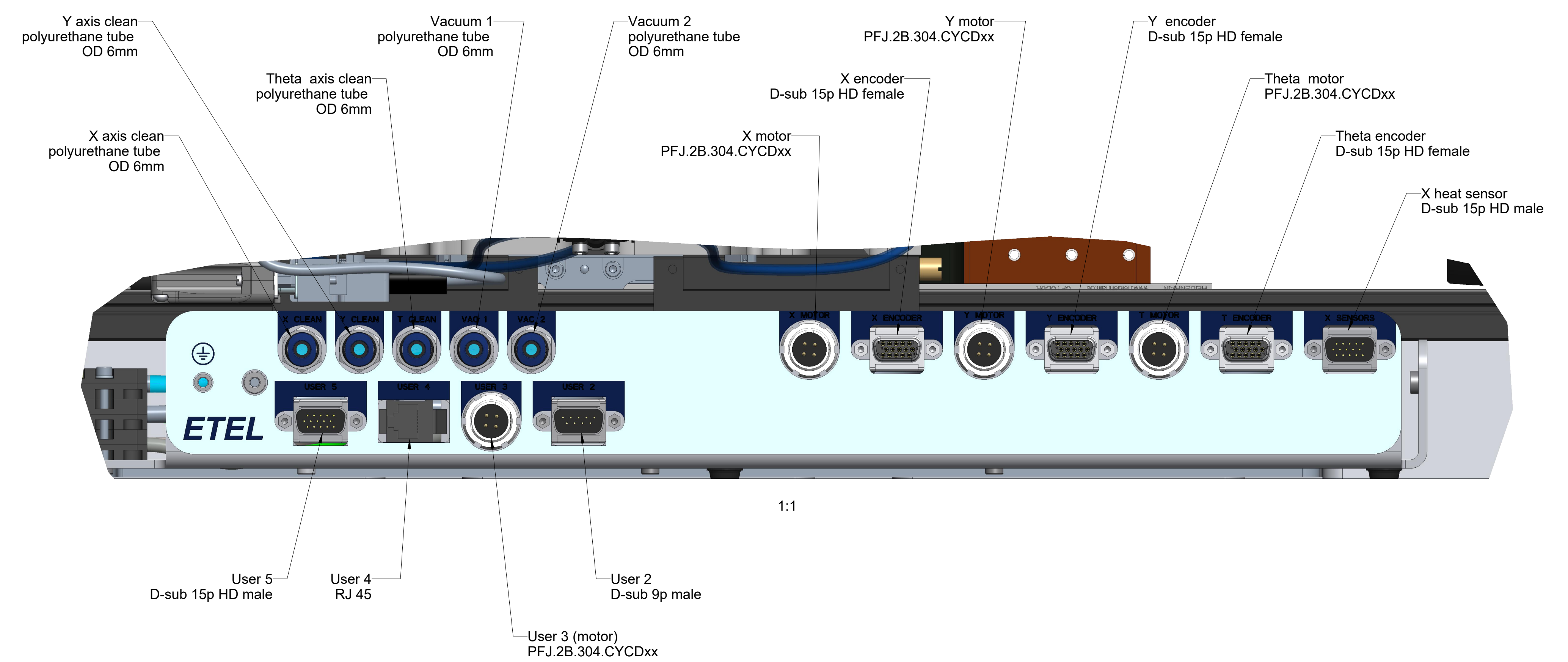
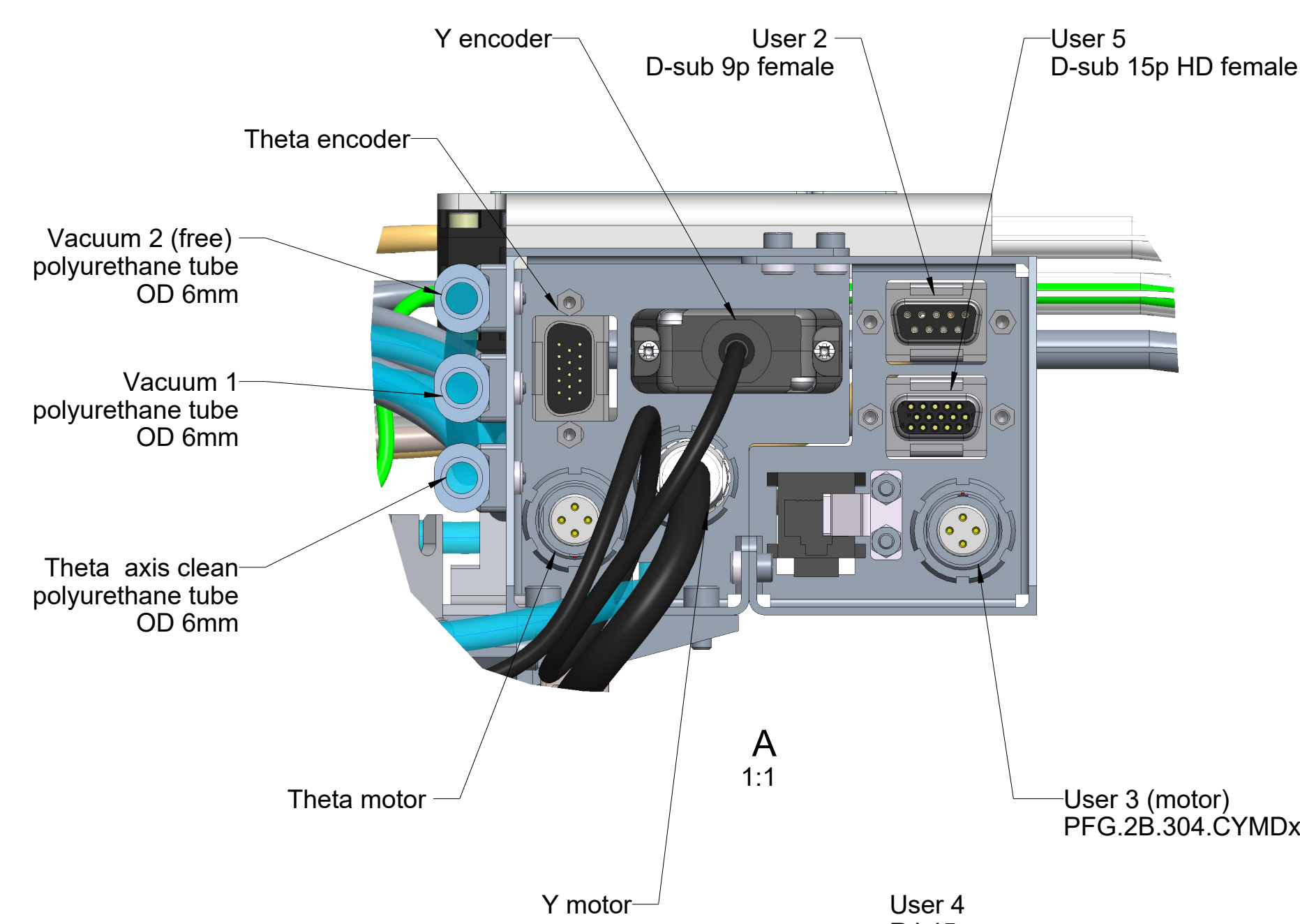


Z view

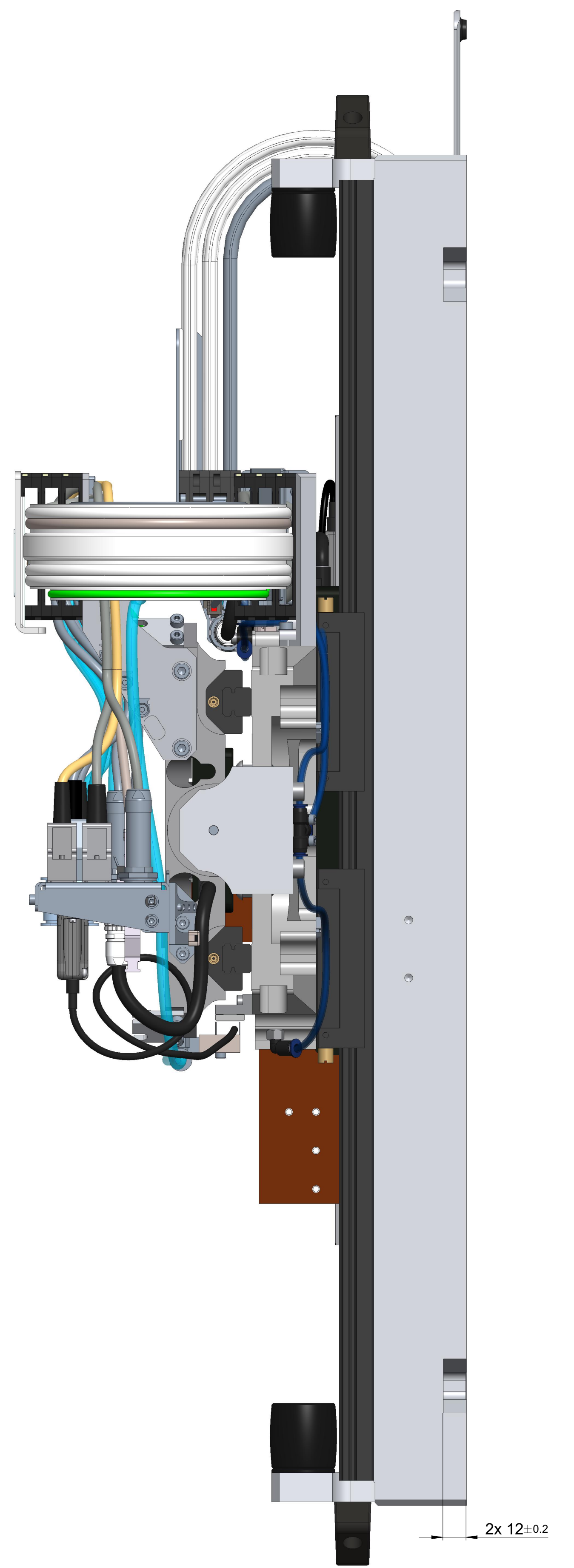
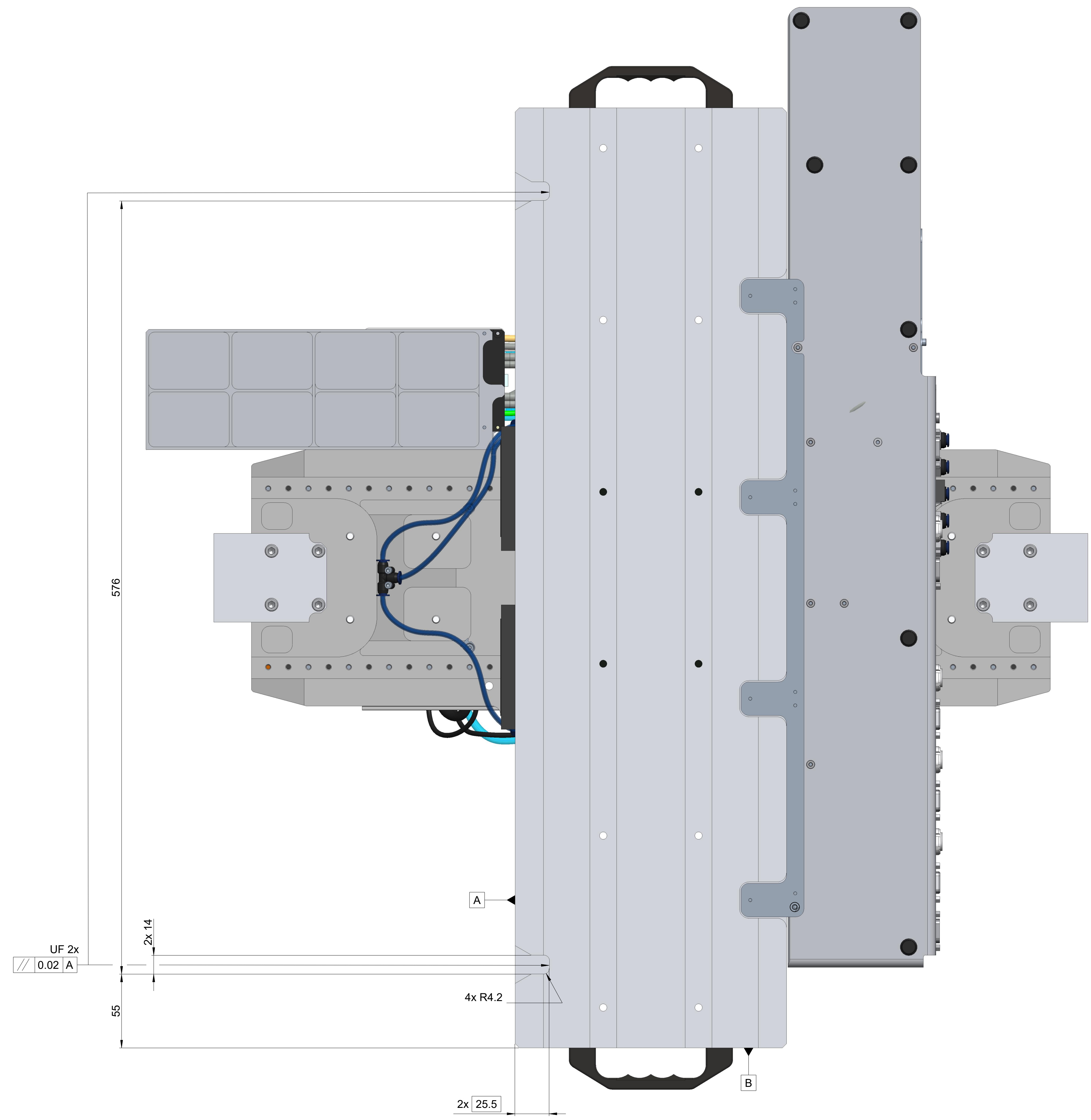


X AXIS

Stroke 365mm Minimum



Text:		ID number: 1383956-01
Original drawing	XY CHARON 2 HD - 365x355mm (DXR+/DXRH)	Change No. C103078-00
State: 1 Format:	CHARON 2 HD XY - 365x355mm (DXR+/DXRH)	Released: 14.03.22
Dimensions in mm: 1:2 A0	Manufacturing Dimensions / Conforms to environment	Tolerances as per ISO 8015:2011
		Tolerances series ISO 8015:2011
		Dimensions without tolerance: 0.2
The reproduction, distribution and utilization of this document as well as the communication of its contents to others without express authorization is prohibited. Offenders will be held liable for the payment of damages. All rights reserved in the event of the grant of a patent, utility model or design. (ISO 15071)		
ETEL S.A. 2112 Möhrle SWITZERLAND		1383960-01 - A-01



Text:		ID number: 1383956-01
Original drawing		Change No. C1383956-00
State: 1 Format:		Released: 14.03.22
Dimensions in mm: 3:5 A0		Tolerances as per ISO 8015: 2011 Tolerances series ISO 8015: 2011
XY CHARON 2 HD - 365x355mm (DXR+DXRH)		Dimensions without tolerance: 0.2
CHARON 2 HD XY - 365x355mm (DXR+DXRH)		Dimensions series tolerance
The reproduction, distribution and utilization of this document as well as the communication of its contents to others without express authorization is prohibited. Offenders will be held liable for the payment of damages. All rights reserved in the event of the grant of a patent, utility model or design. (ISO 16016)		Version: (Revision Sheet) Page: 2 of 2
ETEL S.A. 2112 Mörsch SWITZERLAND		1383960-01 - A-01 Document number