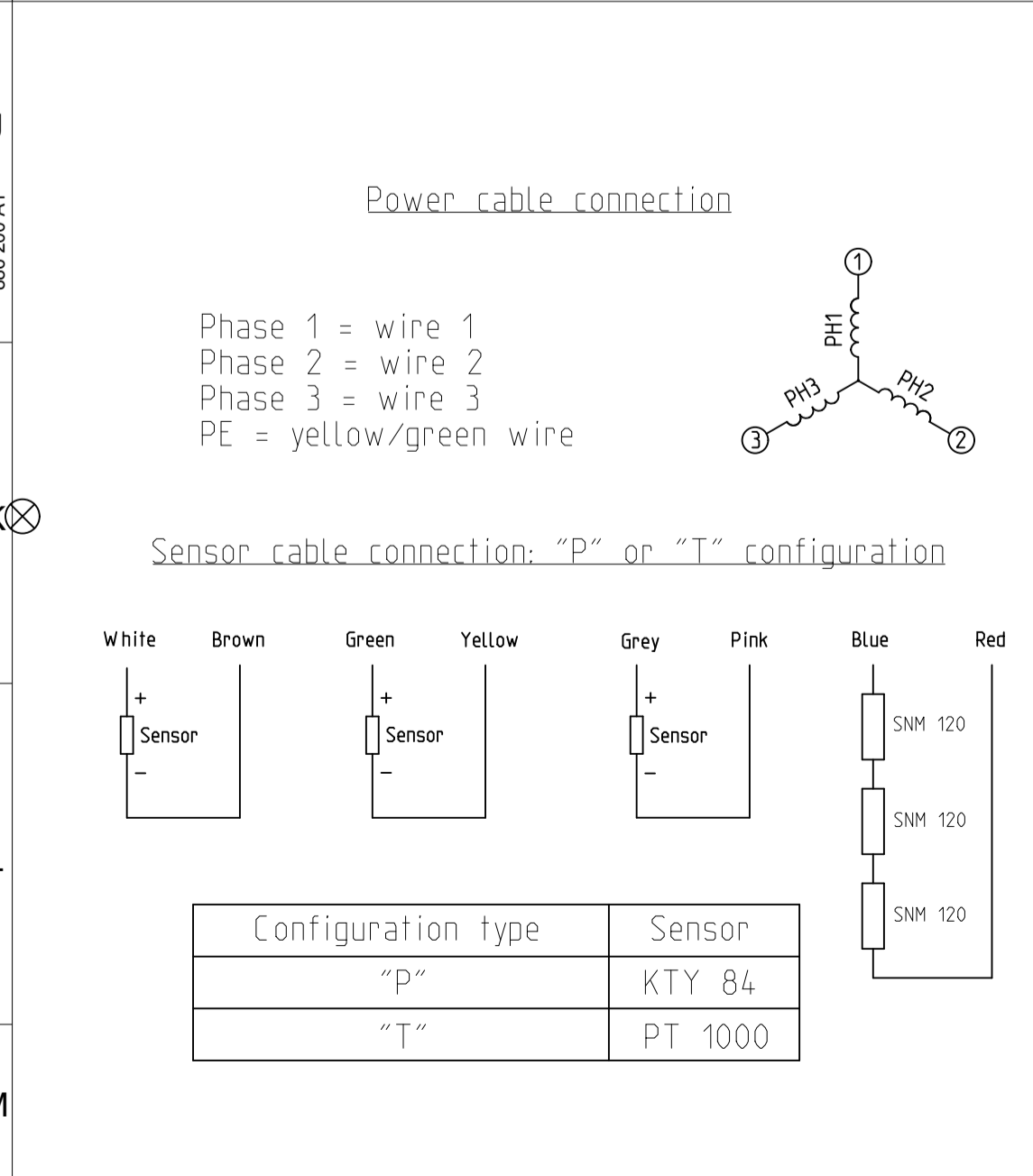
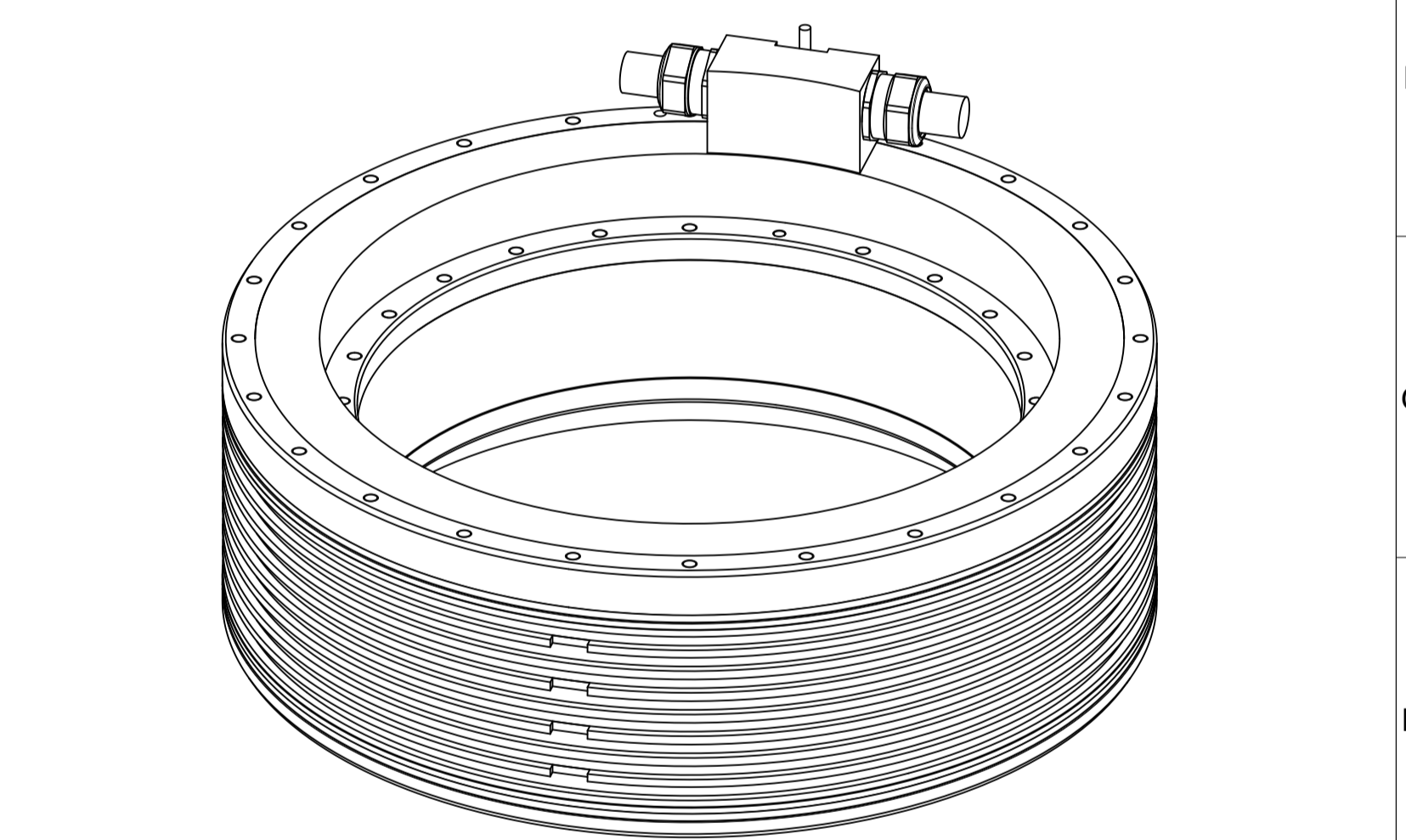
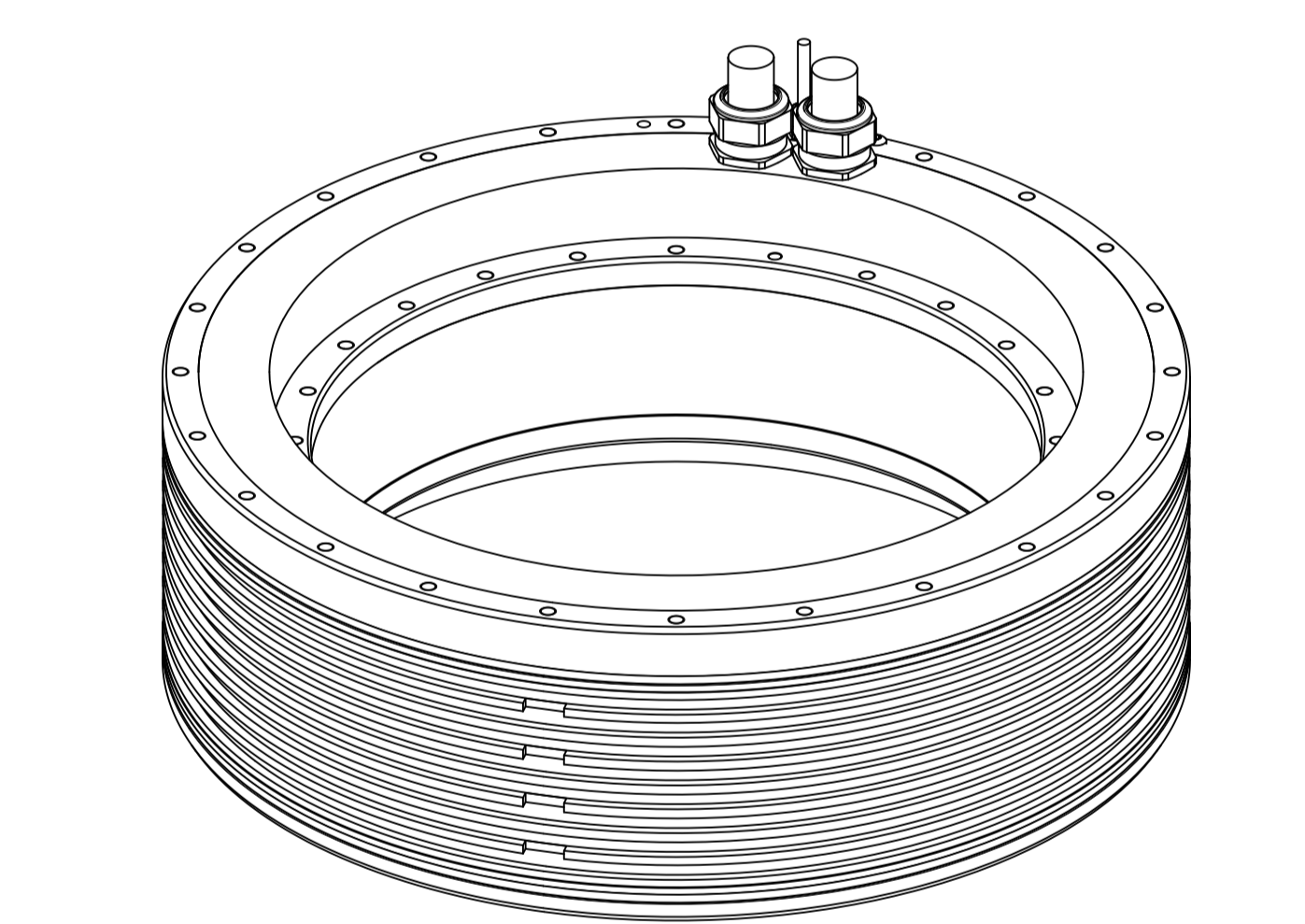
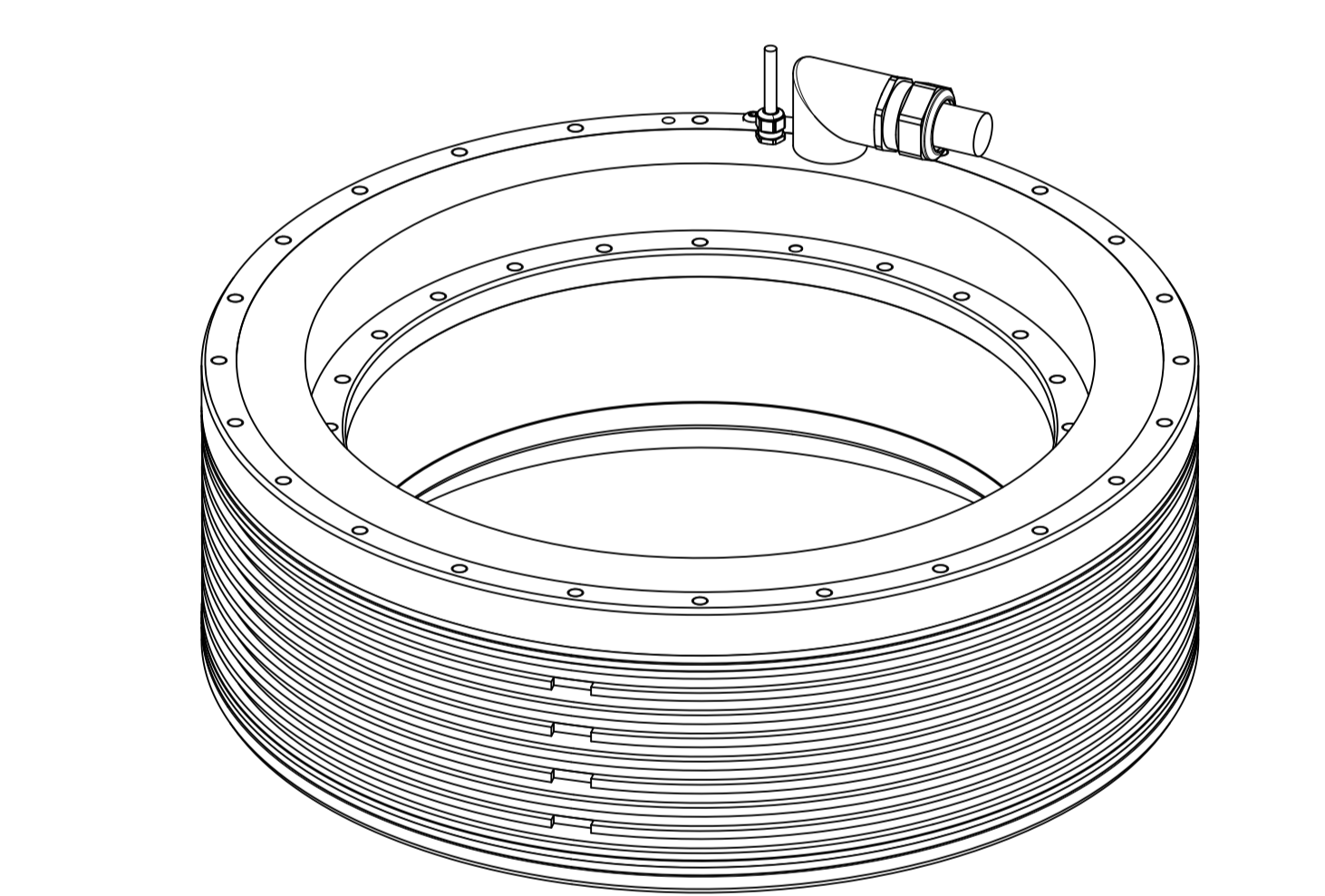
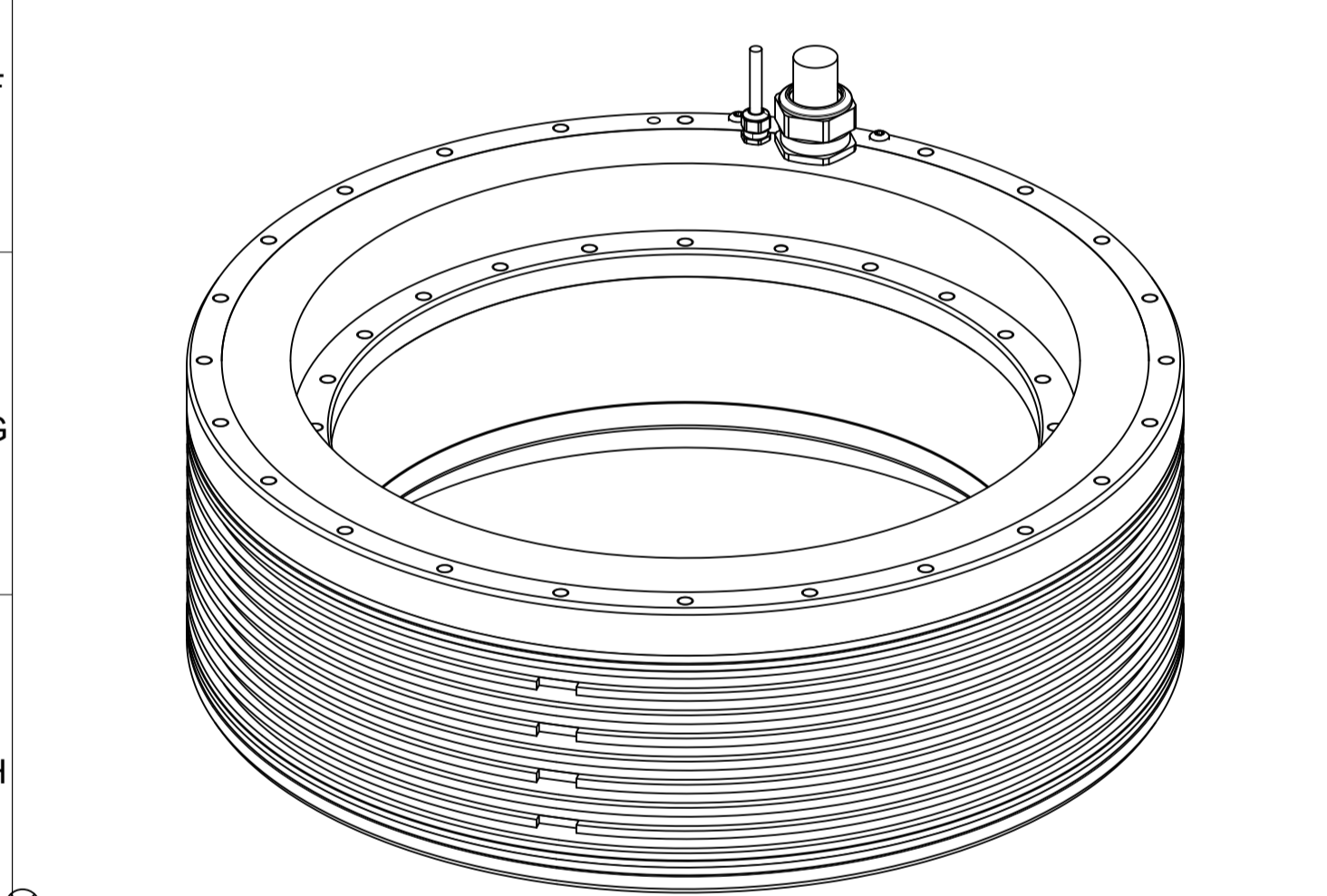
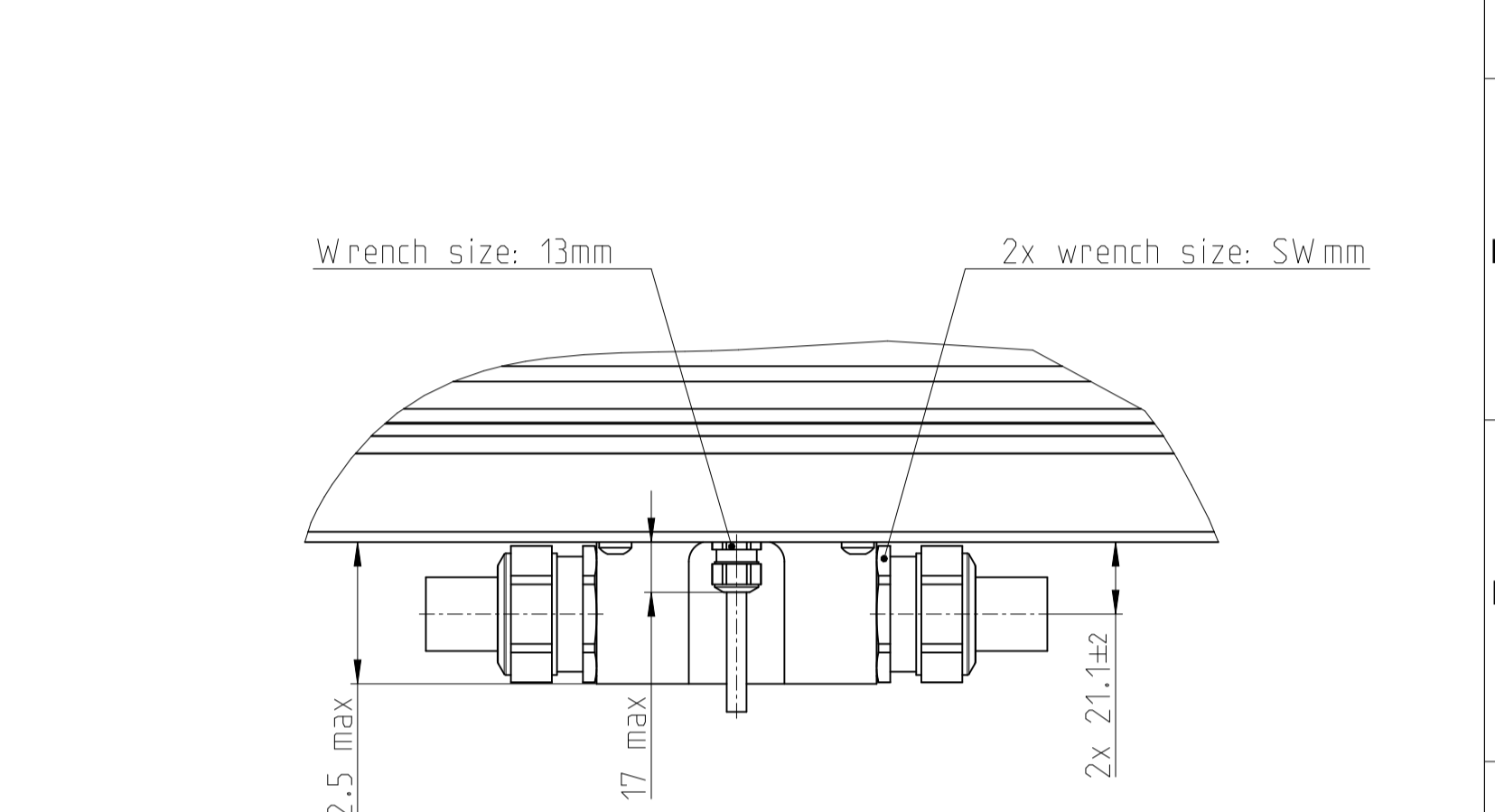
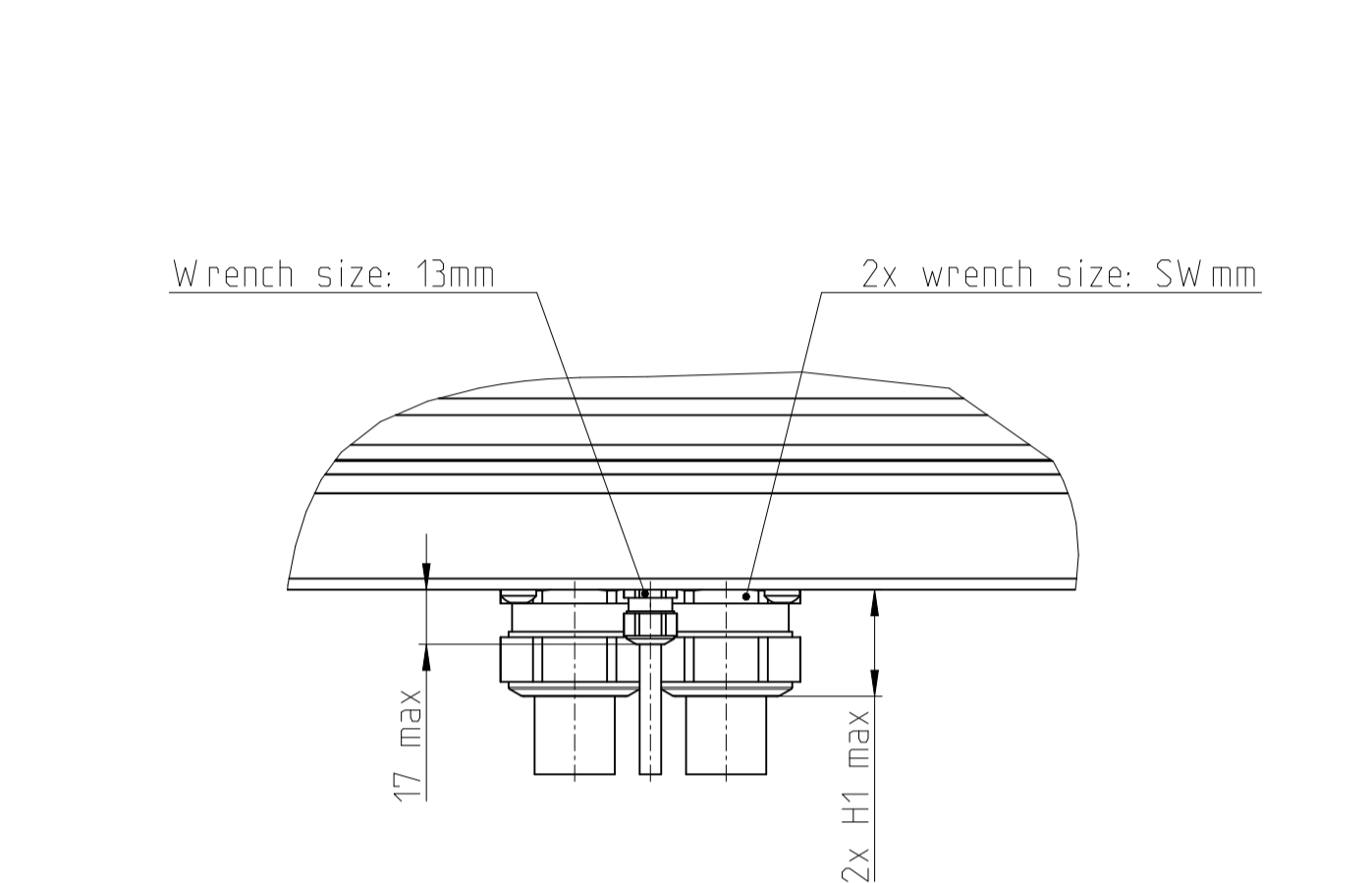
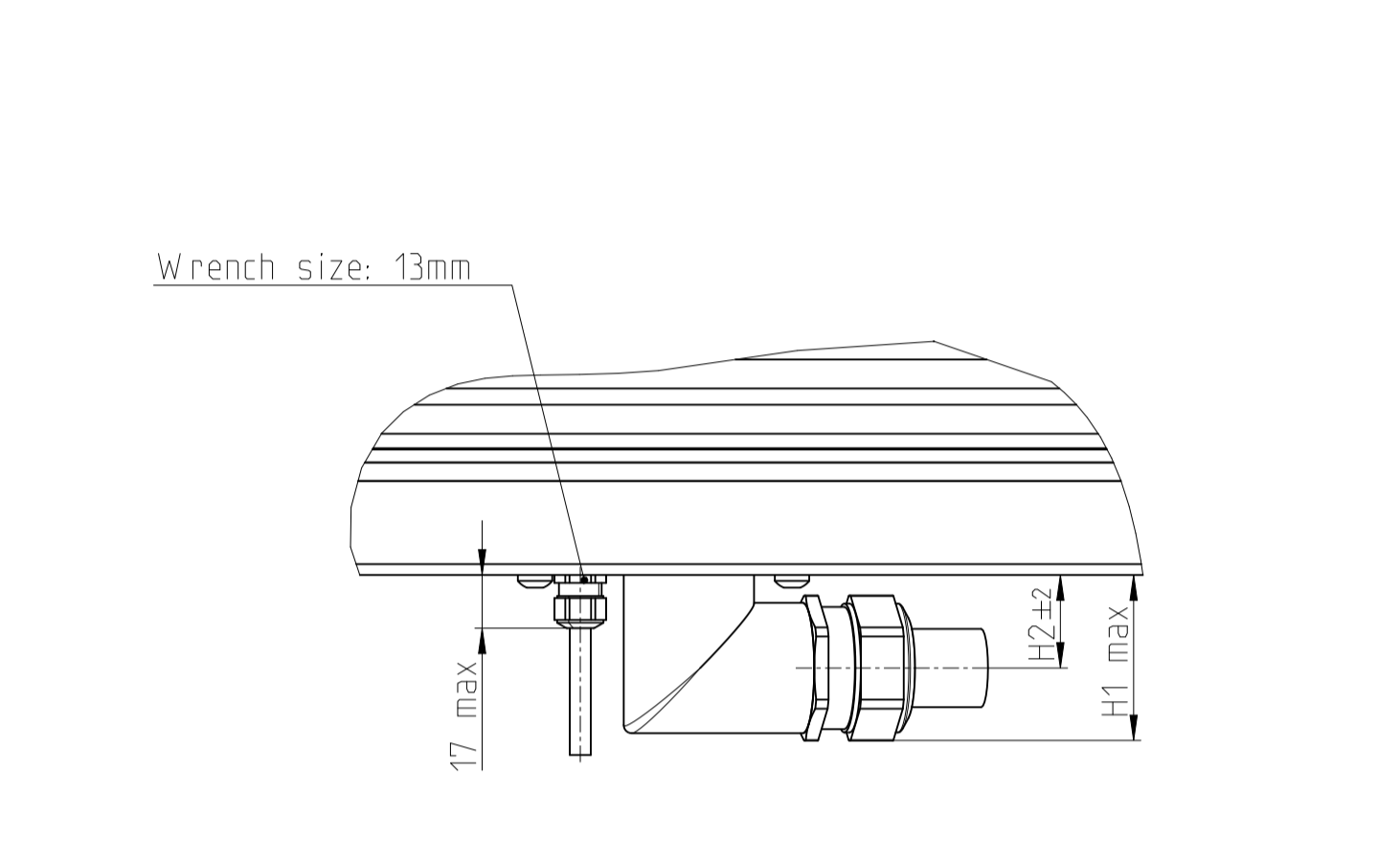
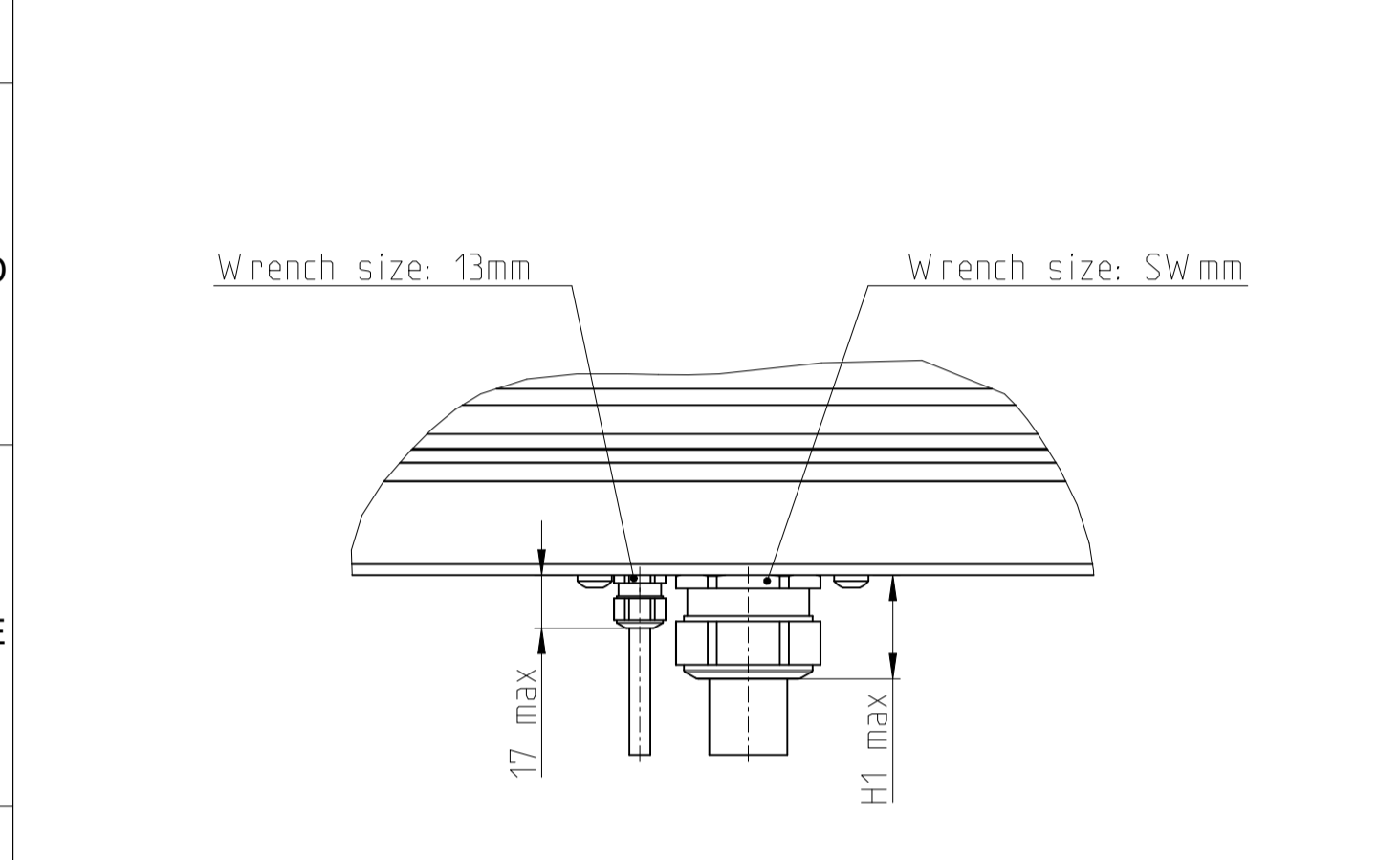
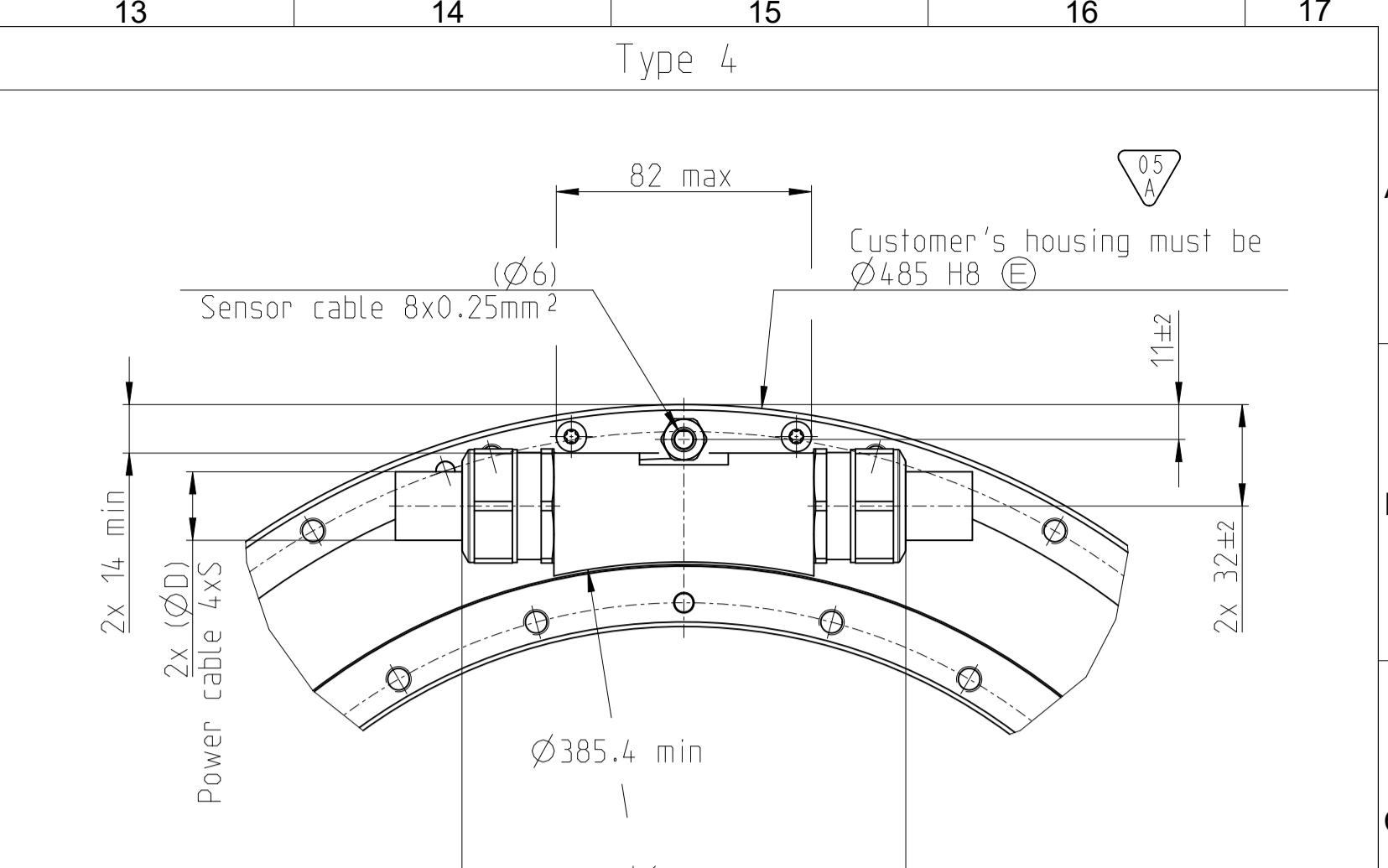
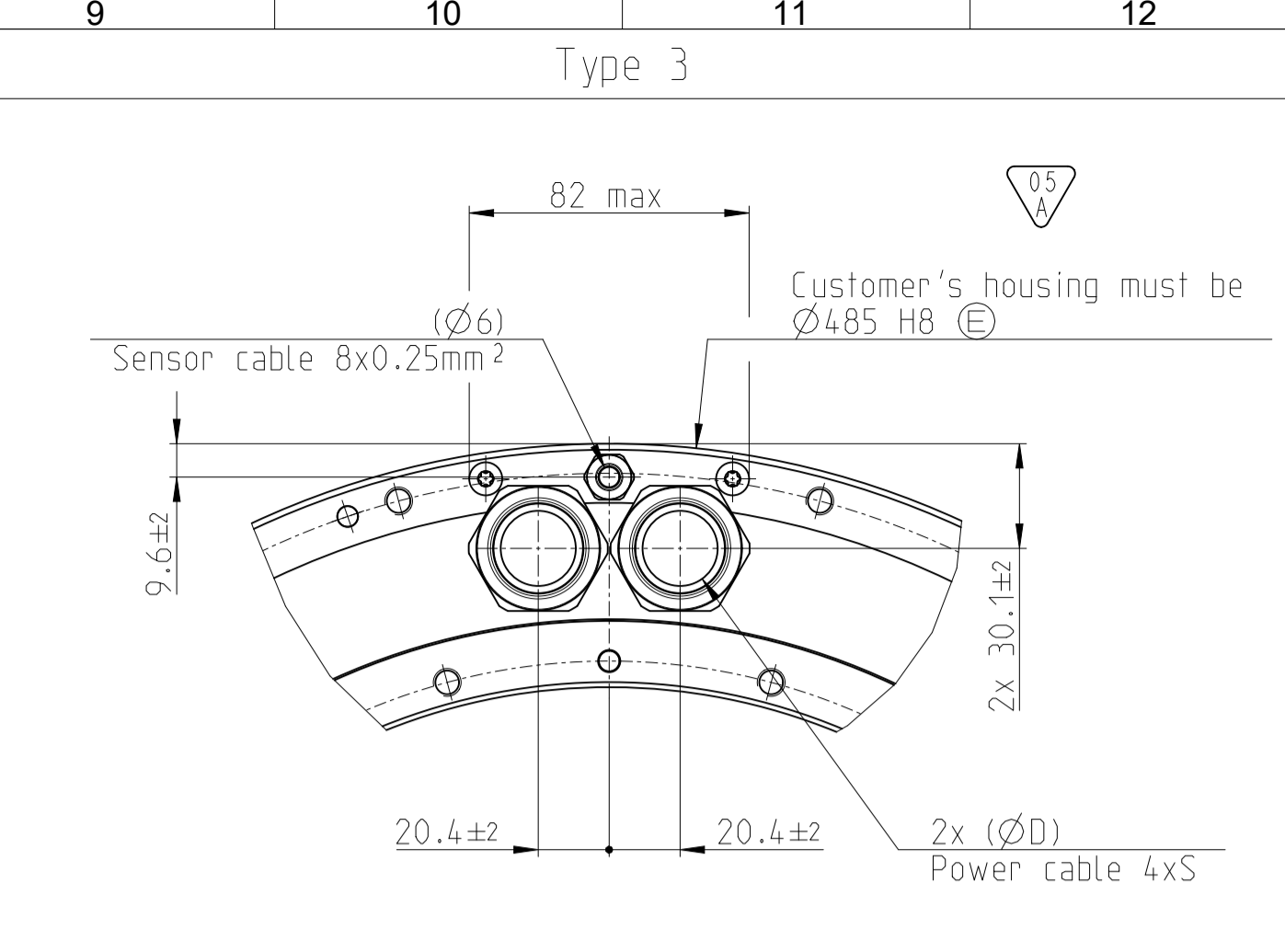
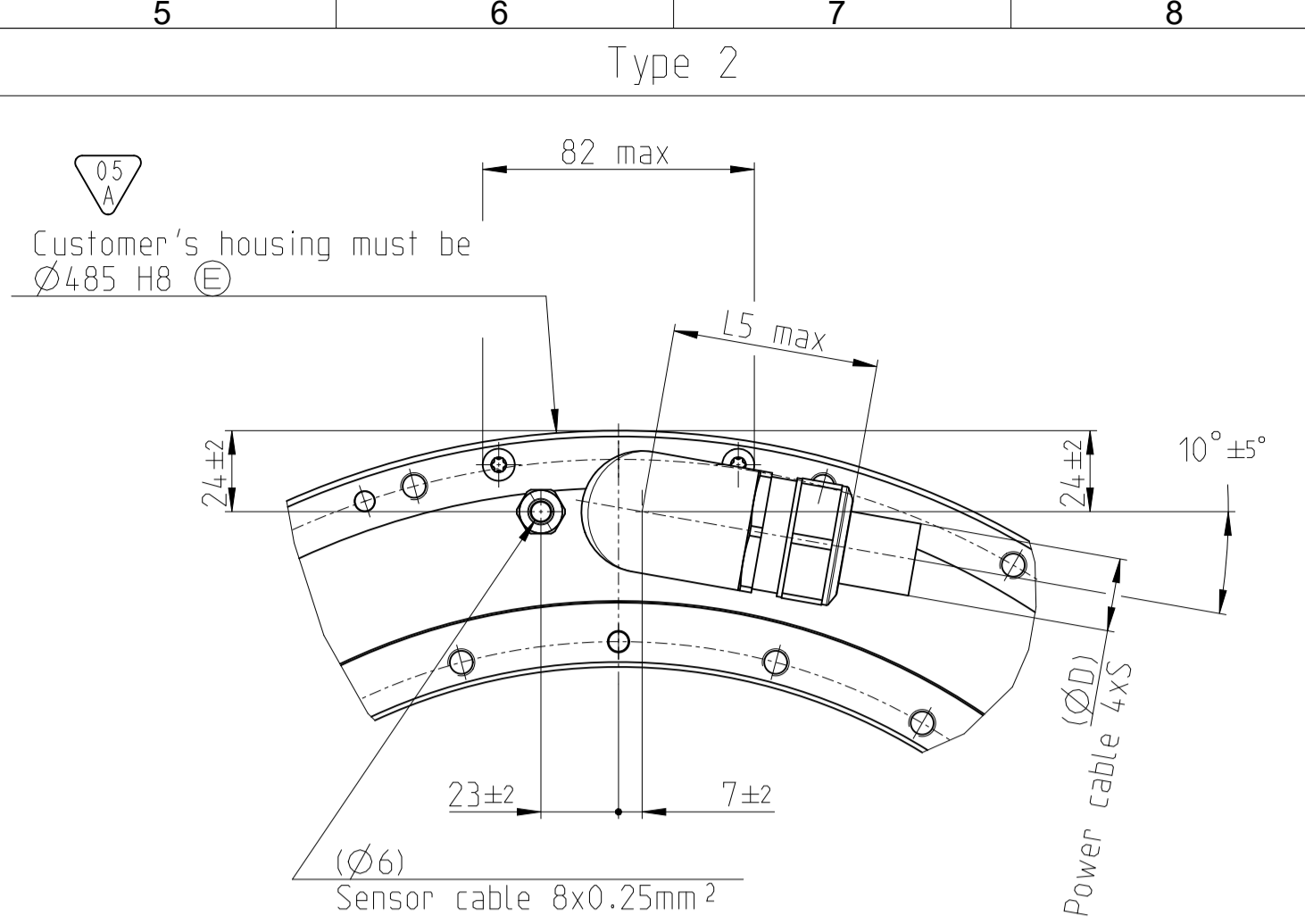
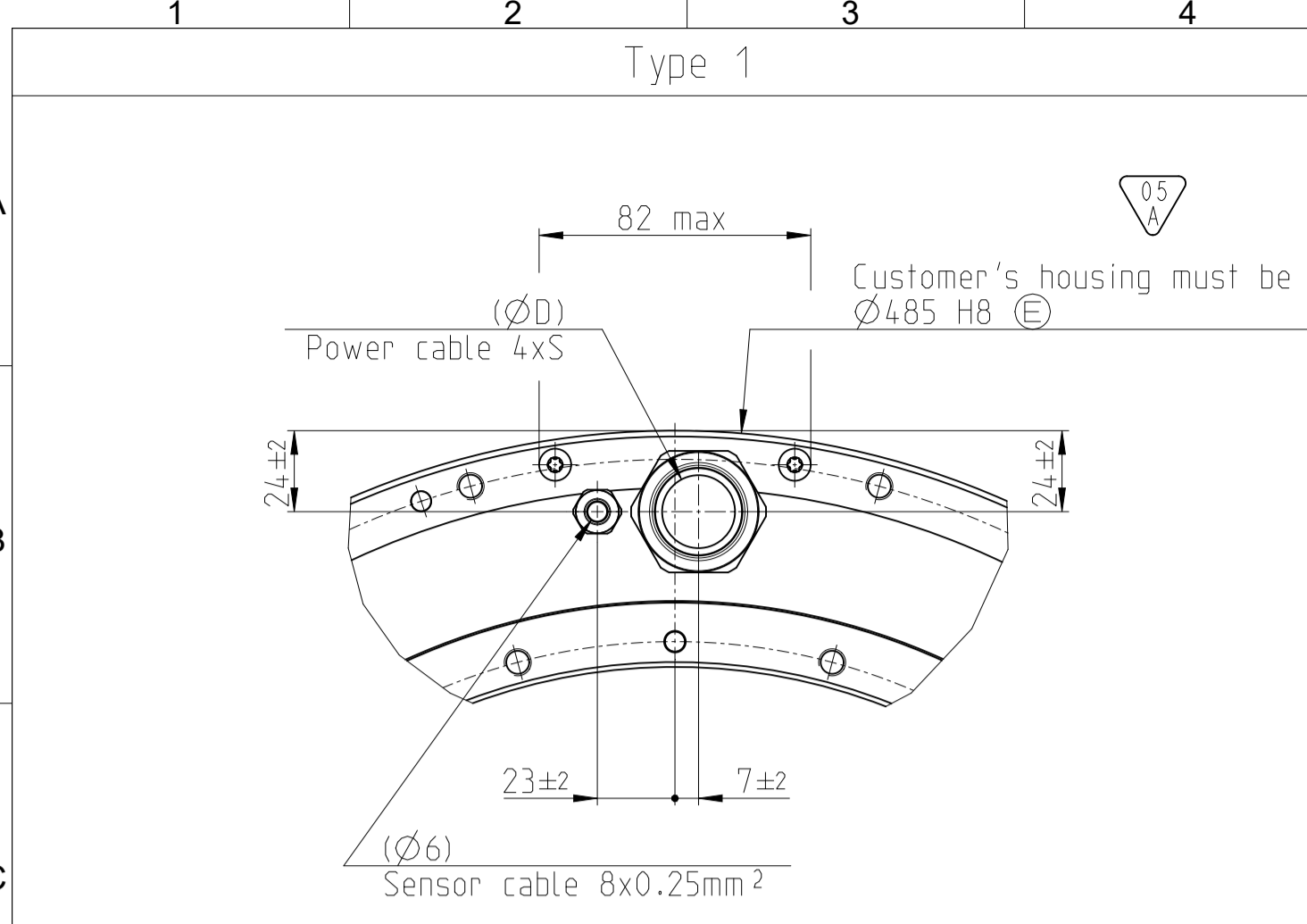


Designation	L1	L2	L3	L4	N1	N2	β
TMB+0450-030	90	63	10	31			
TMB+0450-050	110	83		51	12	12	30°
TMB+0450-070	130	103		71			
TMB+0450-100	160	133	15	101			
TMB+0450-150	210	183		151	24	23	15°
TMB+0450-200	260	233		202			

Text		ID number:
Original drawing		Change No. C075986-36
Scale 1:2		Format A1
Released: 06.12.2021		Tolerances as per ISO 8015 : 2011
Dimensions in mm		Tolerances selon ISO 8015 : 2011
1:2		Dimensions without tolerance ± 0.2
A1		Dimensions sans tolérances
The reproduction, distribution and utilization of this document as well as the communication of its contents to others without express authorization is prohibited. Offenders will be held liable for the payment of damages. All rights reserved in the event of the grant of a patent, utility model or design. (ISO 18015)		Version Revision Sheet Page
ETEL ETEL S.A. 2112 Möllers SWITZERLAND		1176871-05-C-01 1 of 2



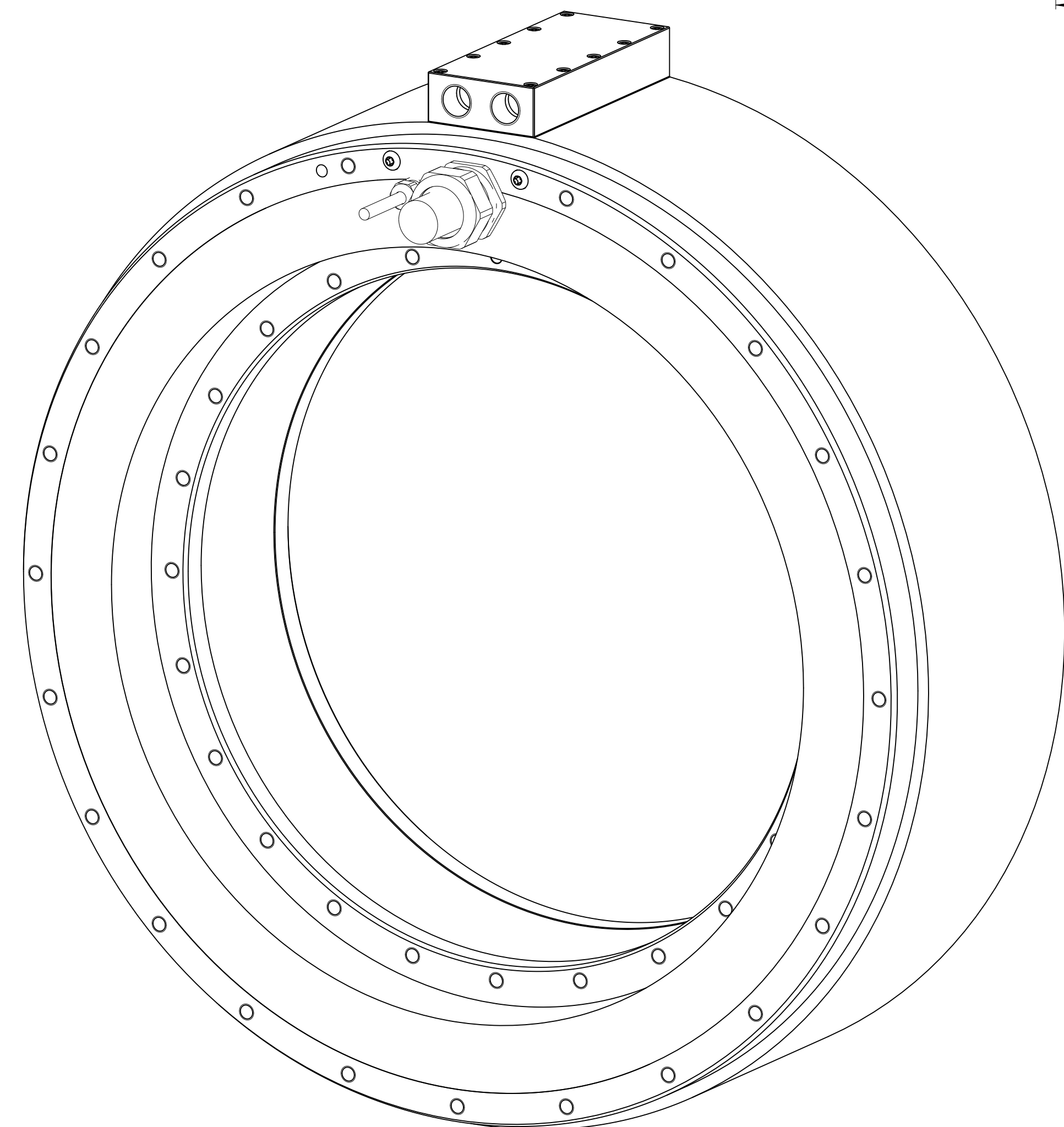
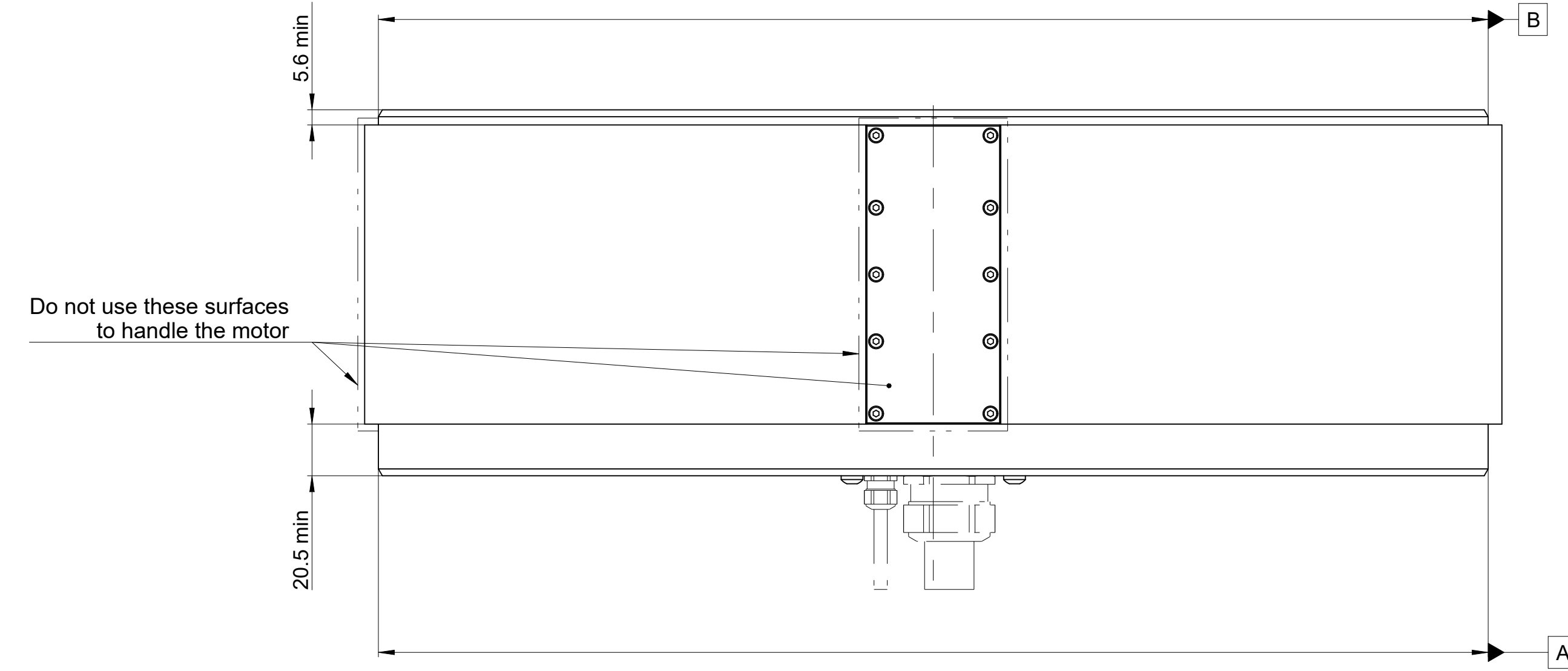
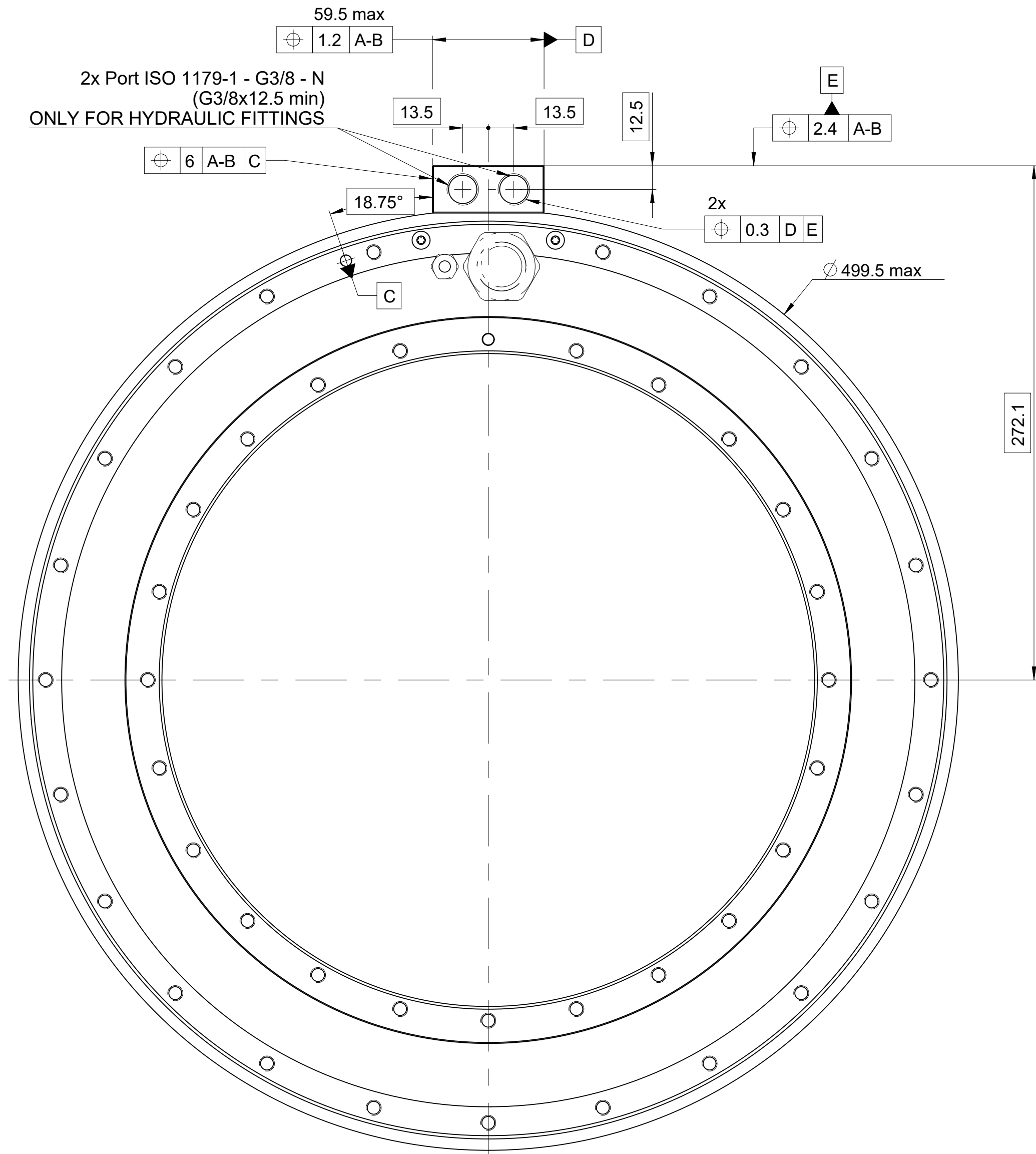
Motor family	0140	0175	0291	0210
0290				
0360				
0450				
0530				
0760				
0990				
1221				

Connection	Phase 1	Phase 3	Phase 2
White - Brown	Phase 1	Phase 3	Phase 2
Green - Yellow	Phase 3	Phase 2	Phase 1
Grey - Pink	Phase 2	Phase 1	Phase 3

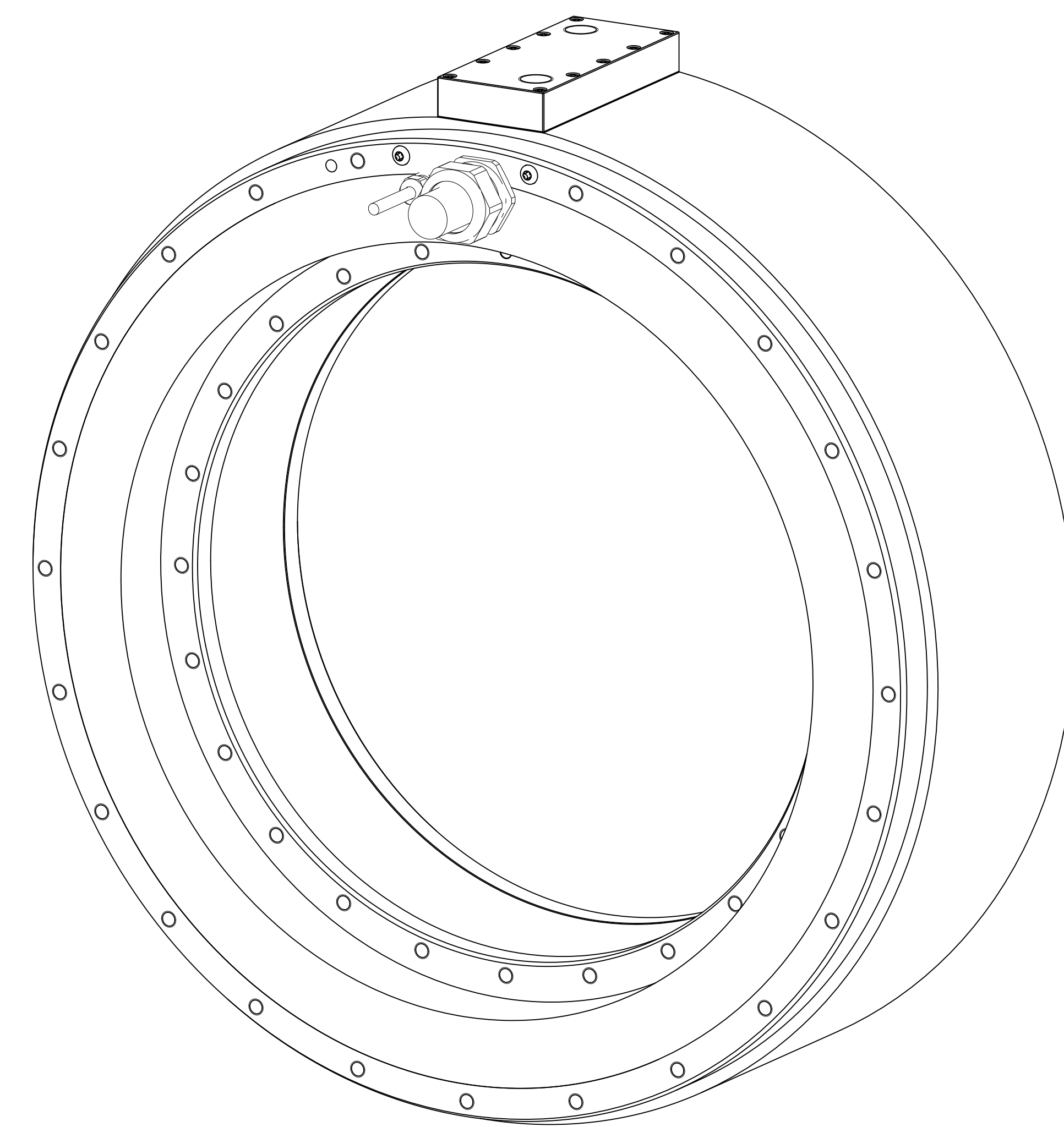
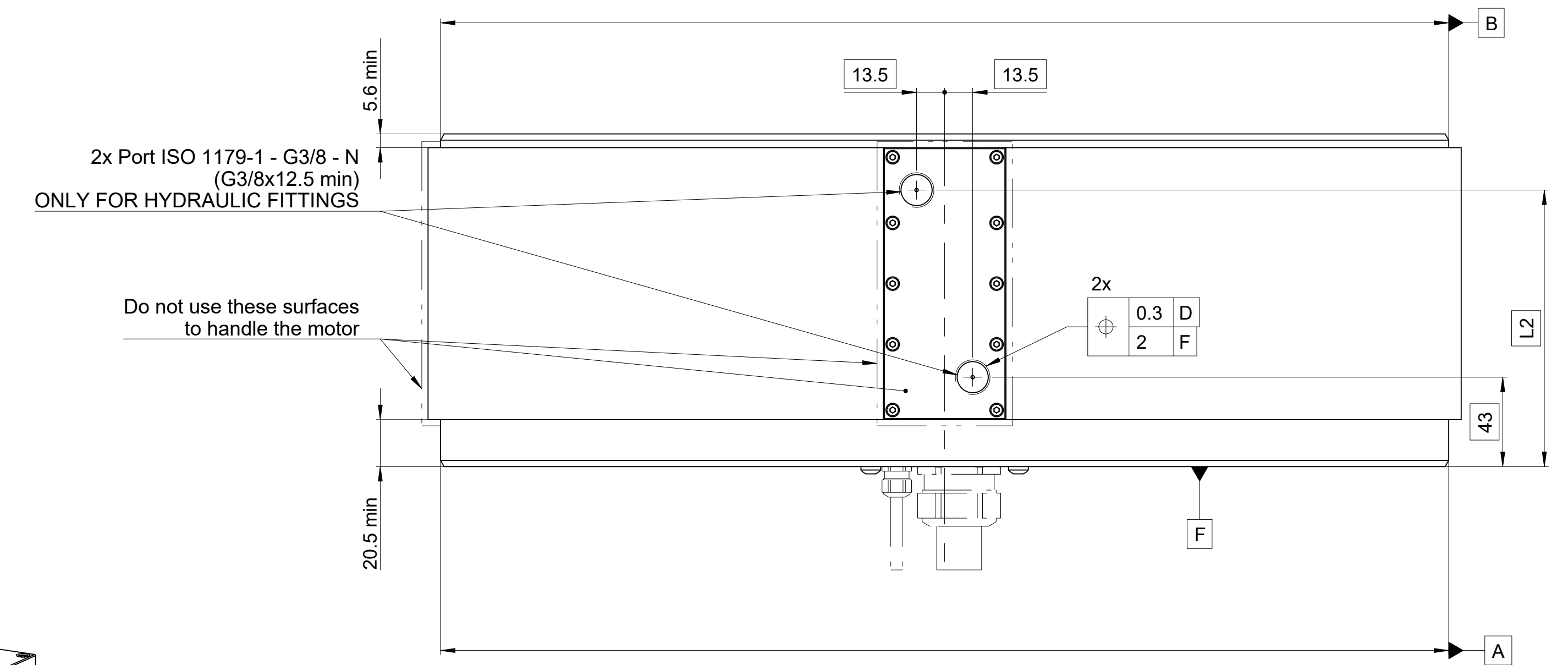
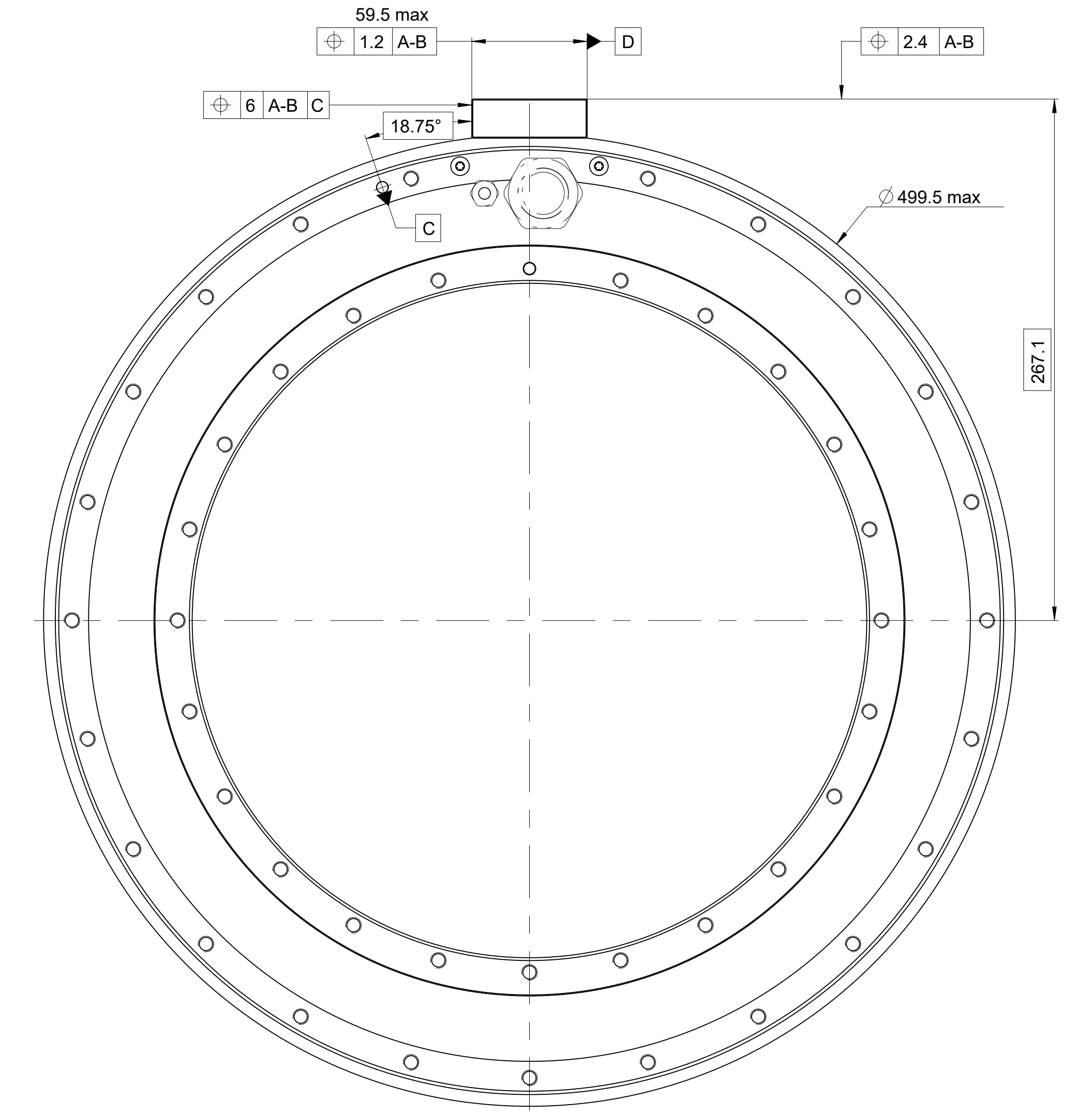
Designation	Output type	S=Wire section [mm²]	L5 [mm]	L6 [mm]	H1 [mm]	H2 [mm]	D [mm]	SW [mm]	Bending radius [mm]
[-]	[-]								
TMB+0450-###-VA#S#	Type 1	1.5	-	-	30.5	-	9.1	36	Static bending radius for: - sensor cable = 30 - power cable = 4x ØD
TMB+0450-###-VA#E#	Type 2		51.5	-	38.6	22.8			
TMB+0450-###-WA#S#	Type 1		-	-	30.5	-			
TMB+0450-###-VA#E#	Type 2	4	51.5	-	38.6	22.8	11.9		
TMB+0450-###-VB#S#	Type 1		-	-	32.5	-			
TMB+0450-###-VB#E#	Type 2		53.5	-	38.6	22.8			
TMB+0450-030 to 070-WB#S#	Type 1	6	-	-	32.5	-	14.5		
TMB+0450-030 to 070-WB#E#	Type 2		53.5	-	38.6	22.8			
TMB+0450-100 to 200-WB#S#	Type 1		-	-	35.5	-			
TMB+0450-100 to 200-WB#E#	Type 2	10	59	-	45.9	26.8	17.5		
TMB+0450-###-VD#S#	Type 1		-	-	38.5	-			
TMB+0450-###-VD#E#	Type 2		62	-	45.9	26.8			
TMB+0450-###-VH#S#	Type 3	16	-	158.5	-	-	21.6		
TMB+0450-###-VH#E#	Type 4		-	-	38.5	-			
TMB+0450-###-WD#S#	Type 1		-	-	33	-			
TMB+0450-###-WD#E#	Type 2	16	65.5	-	48.3	25.7	21.6		
TMB+0450-###-WH#S#	Type 3		-	-	33	-			
TMB+0450-###-WH#E#	Type 4		-	148	-	-			

Text		ID number:	C075986-36
Original drawing		Change No.	06.12.2021
Scale		Released:	06.12.2021
Format		Tolerances as per ISO 8015 : 2011	
Dimensions in mm		Tolerances selon ISO 8015 : 2011	
1:2		A1	
A1		Dimensions without tolerance	
		Dimensions sans tolérances	
		± 0.2	
The reproduction, distribution and utilization of this document as well as the communication of its contents to others without express authorization is prohibited. Offenders will be held liable for the payment of damages. All rights reserved in the event of the grant of a patent, utility model or design. (ISO 18015)			
ETEL S.A.		Version Revision Sheet Page	
2112 Möllers		1176871-05-C-01	
SWITZERLAND		2 of 2	

TMB+0450-###-#####-A#-AA0
 (Annex to interface drawing 1176871: please check for motor and cable output information)



TMB+0450-###-#####-R#-AA0
 (Annex to interface drawing 1176871: please check for motor and cable output information)



Designation	L2
TMB+0450-030	63
TMB+0450-050	83
TMB+0450-070	103
TMB+0450-100	133
TMB+0450-150	183
TMB+0450-200	233