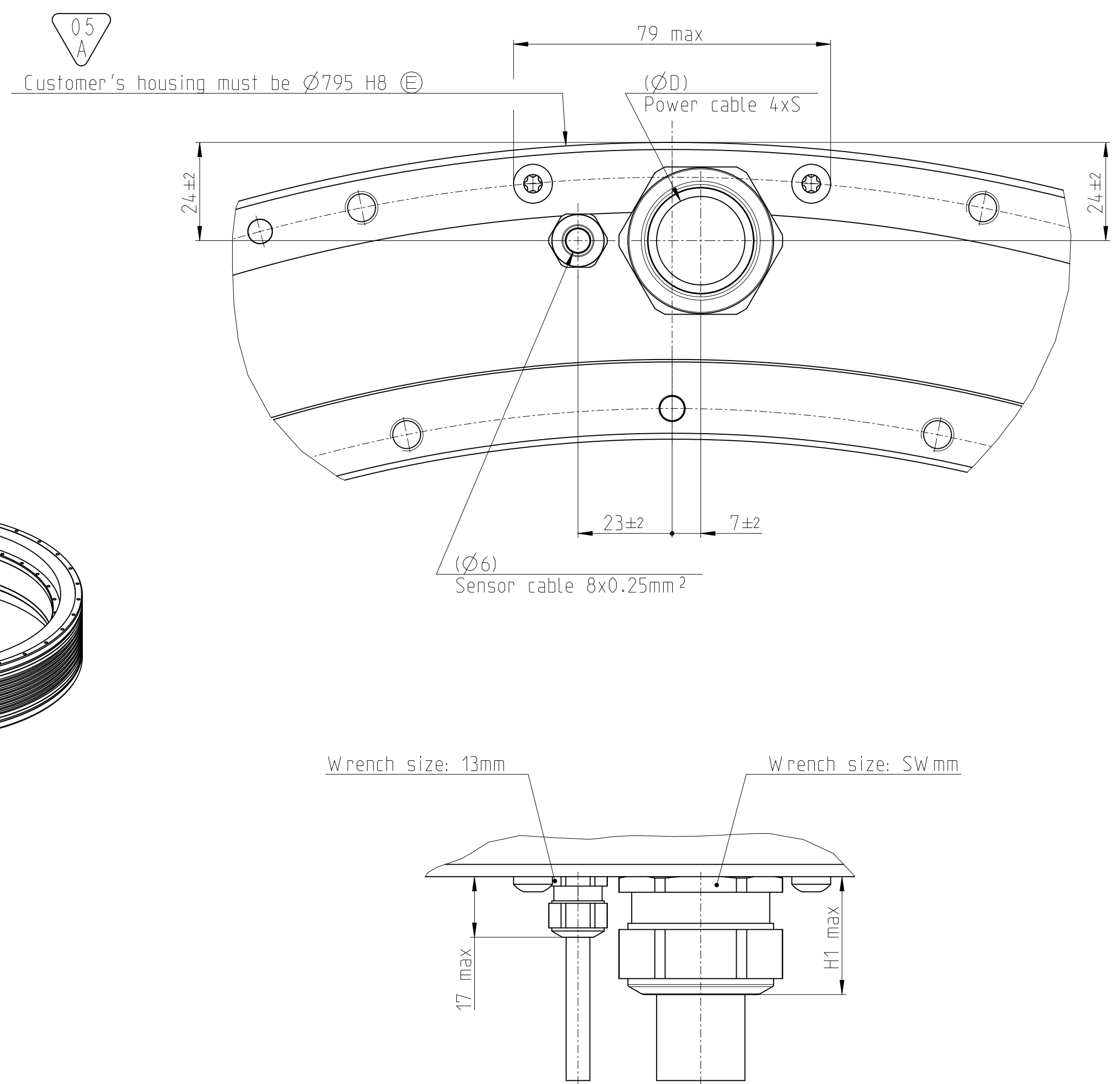


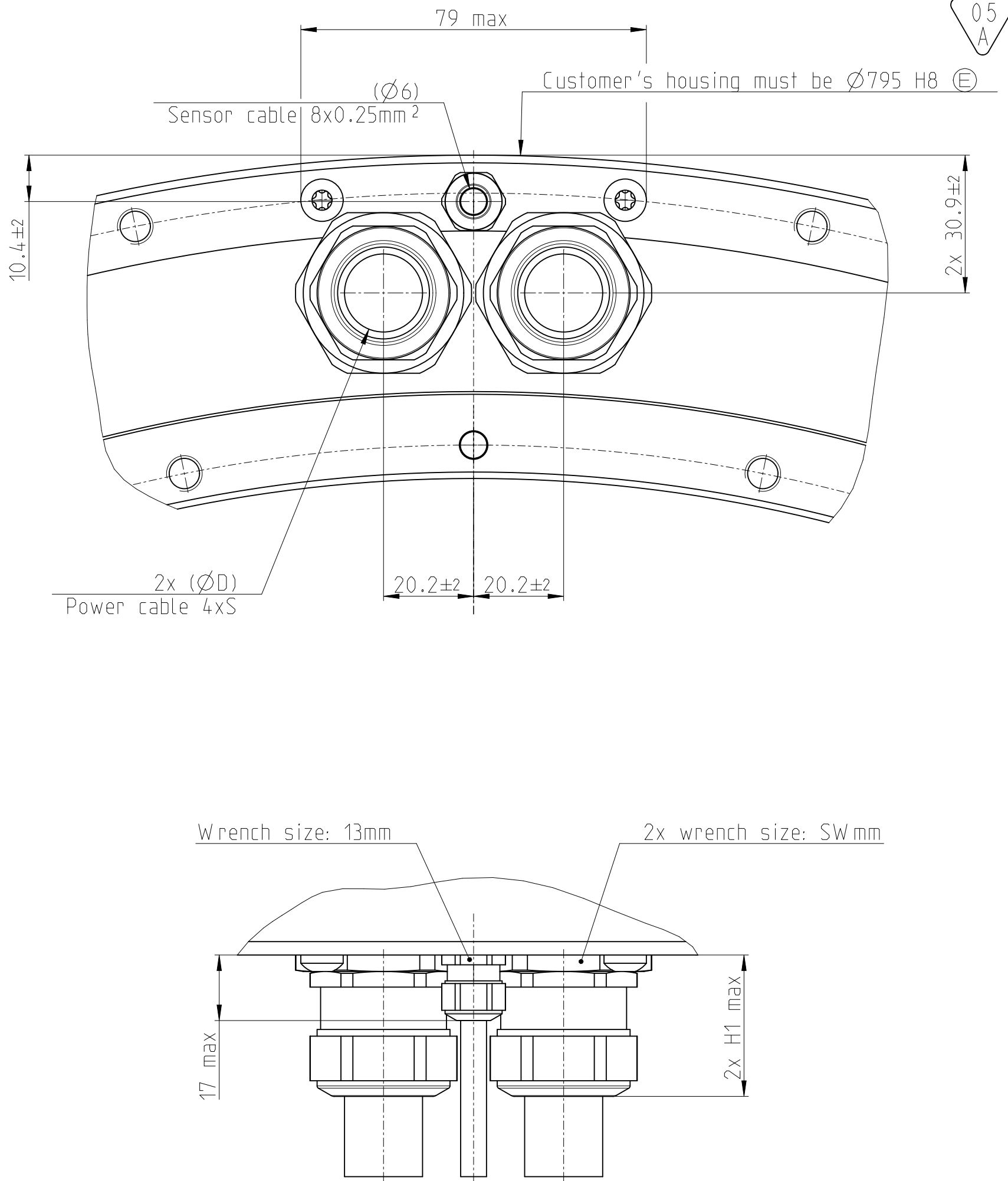
Designation	L1	L2	L3	N1	N2	N3	β
TMB+0760-050	130	85	51	16	8	16	22.5°
TMB+0760-070	150	105	71				
TMB+0760-100	180	135	101	32	15	31	11.25°
TMB+0760-150	230	185	151				
TMB+0760-200	280	235	202				

Text:		ID number:
Original drawing	TMB+0760-###-####-O#-AAO	03168638
State: I Form:	TMB+0760-###-####-O#-AAO	14.12.2011
Dimensions in mm:	1:2 A0	Tolerances as per ISO 8015:2011 Tolerances series ISO 8015:2011
The reproduction, distribution and utilization of this document as well as the communication of its contents to others without express authorization is prohibited. Offenders will be held liable for the payment of damages. All rights reserved in the event of the grant of a patent, utility model or design. (ISO 16016)		Dimensions without tolerance: 0.2
ETEL S.A. 2112 Möhrle SWITZERLAND		1177077-05-A-01

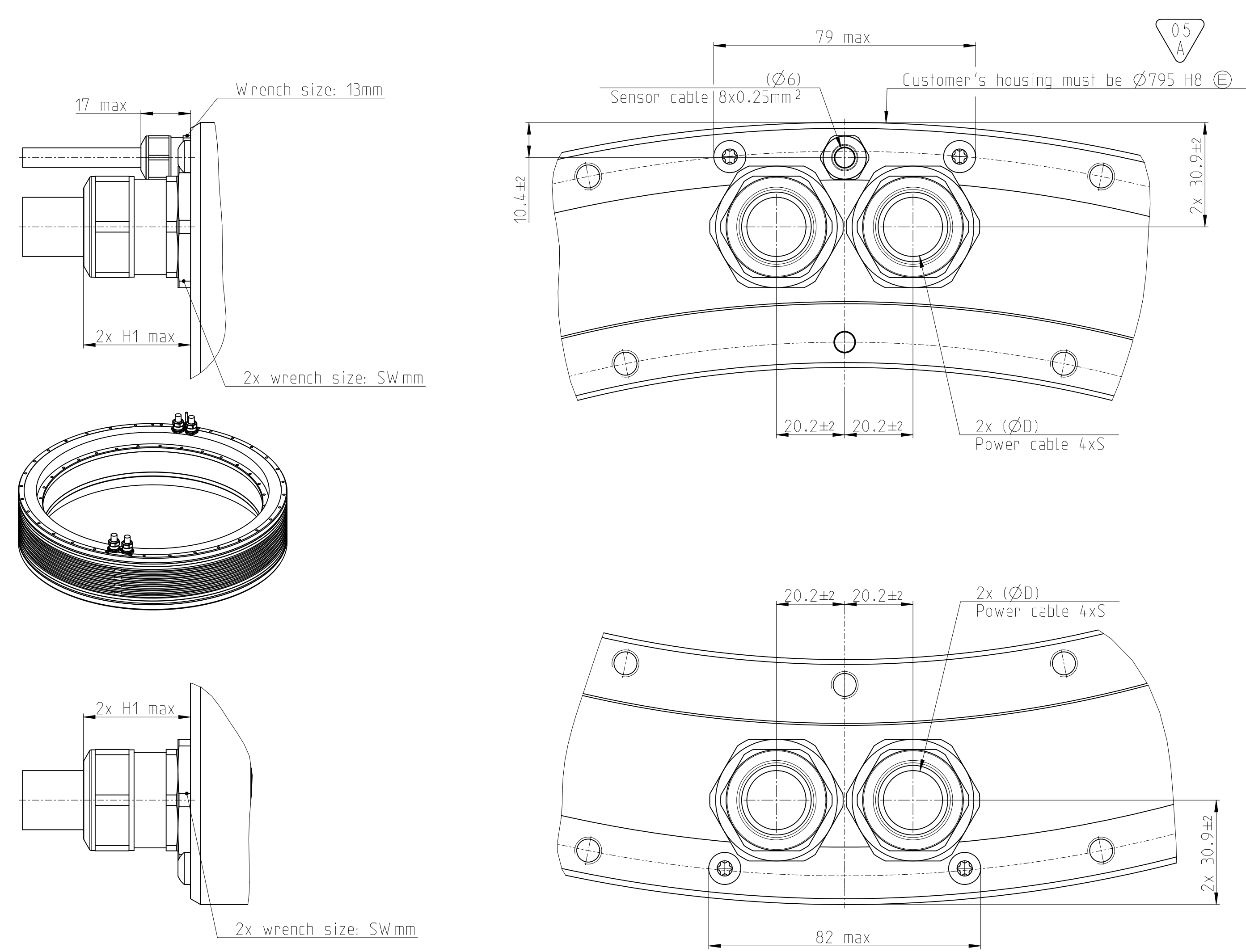
Type 1



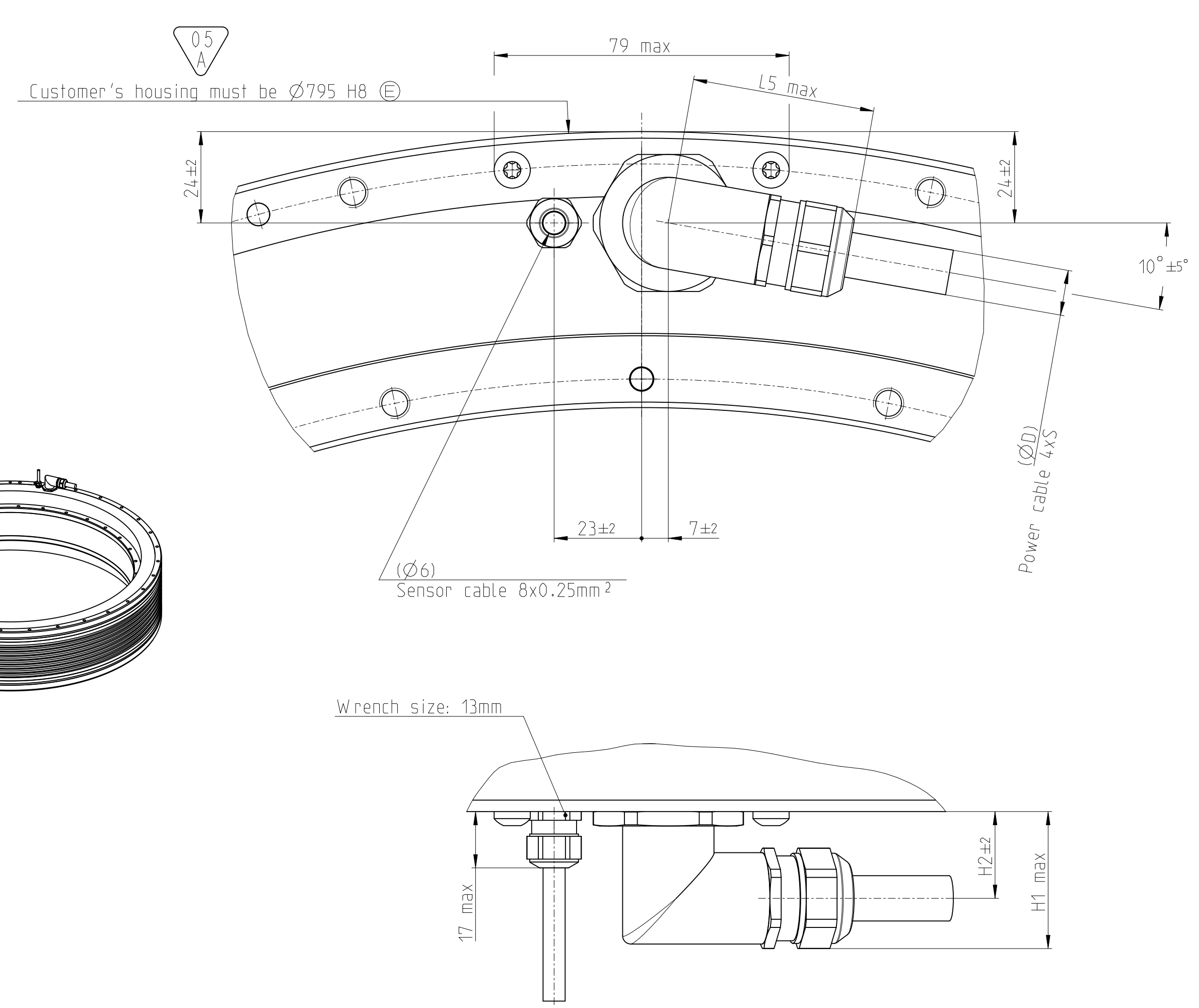
Type 3



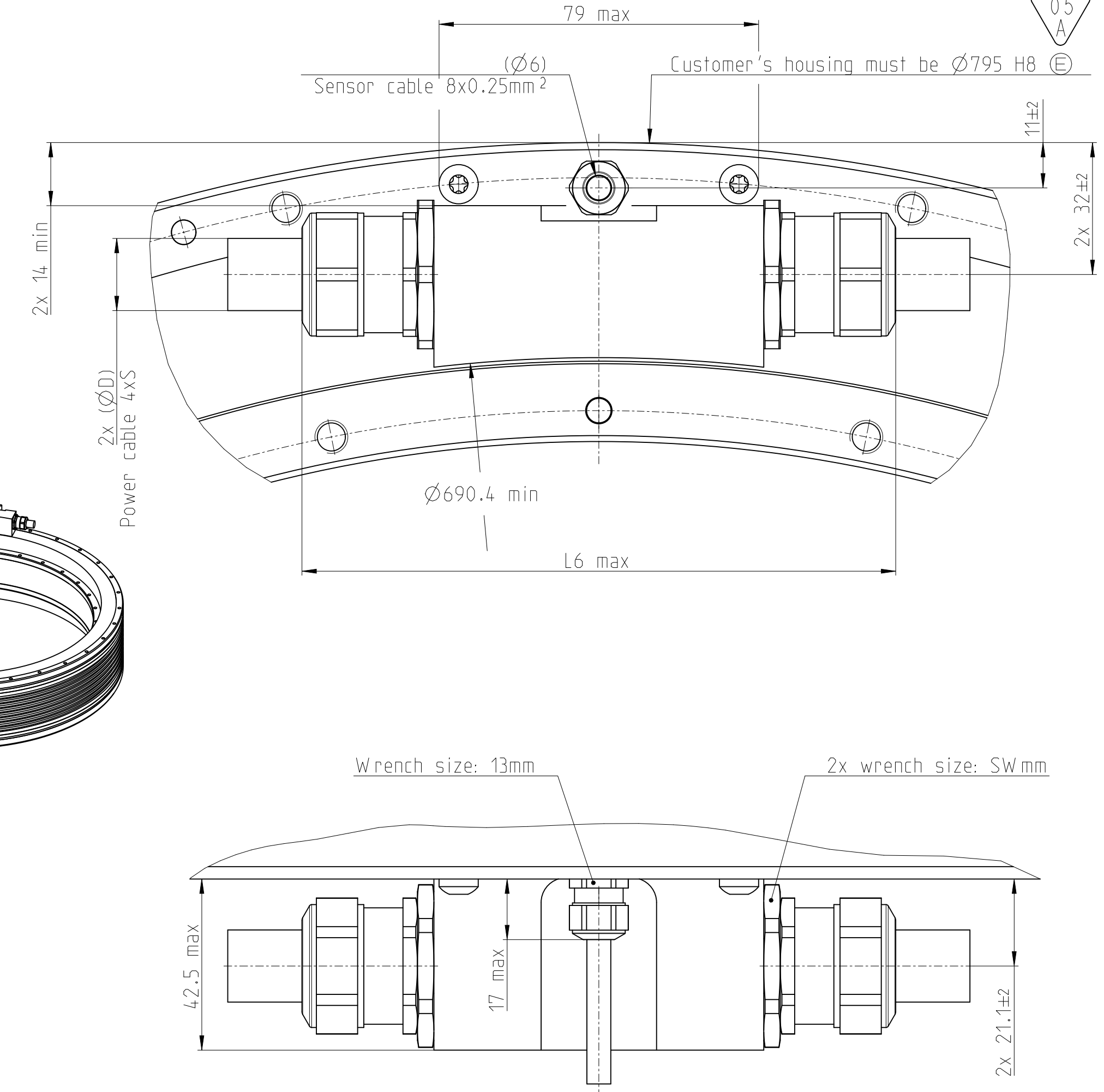
Type 5



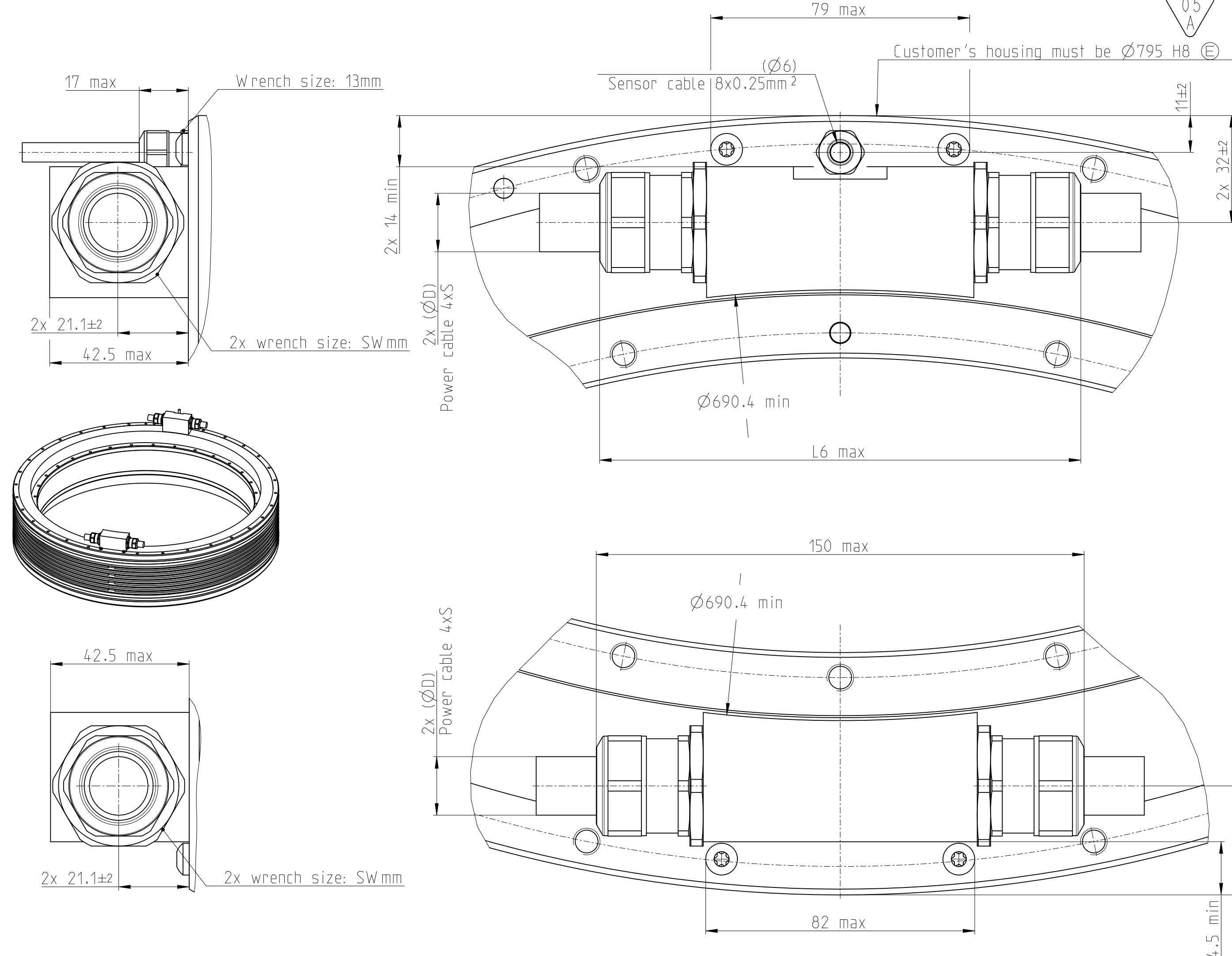
Type 2



Type 4

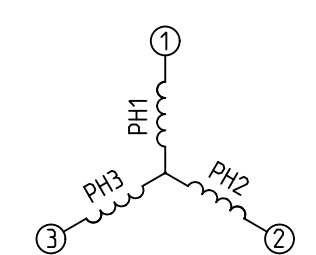


Type 6

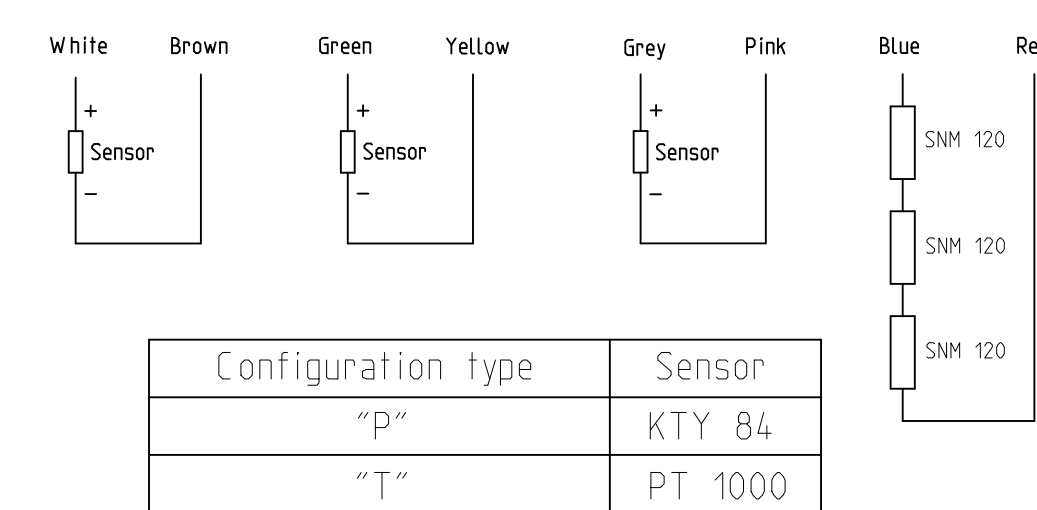


Power cable connection

Phase 1 = wire 1  
Phase 2 = wire 2  
Phase 3 = wire 3  
PE = yellow/green wire



Sensor cable connection: "P" or "T" configuration

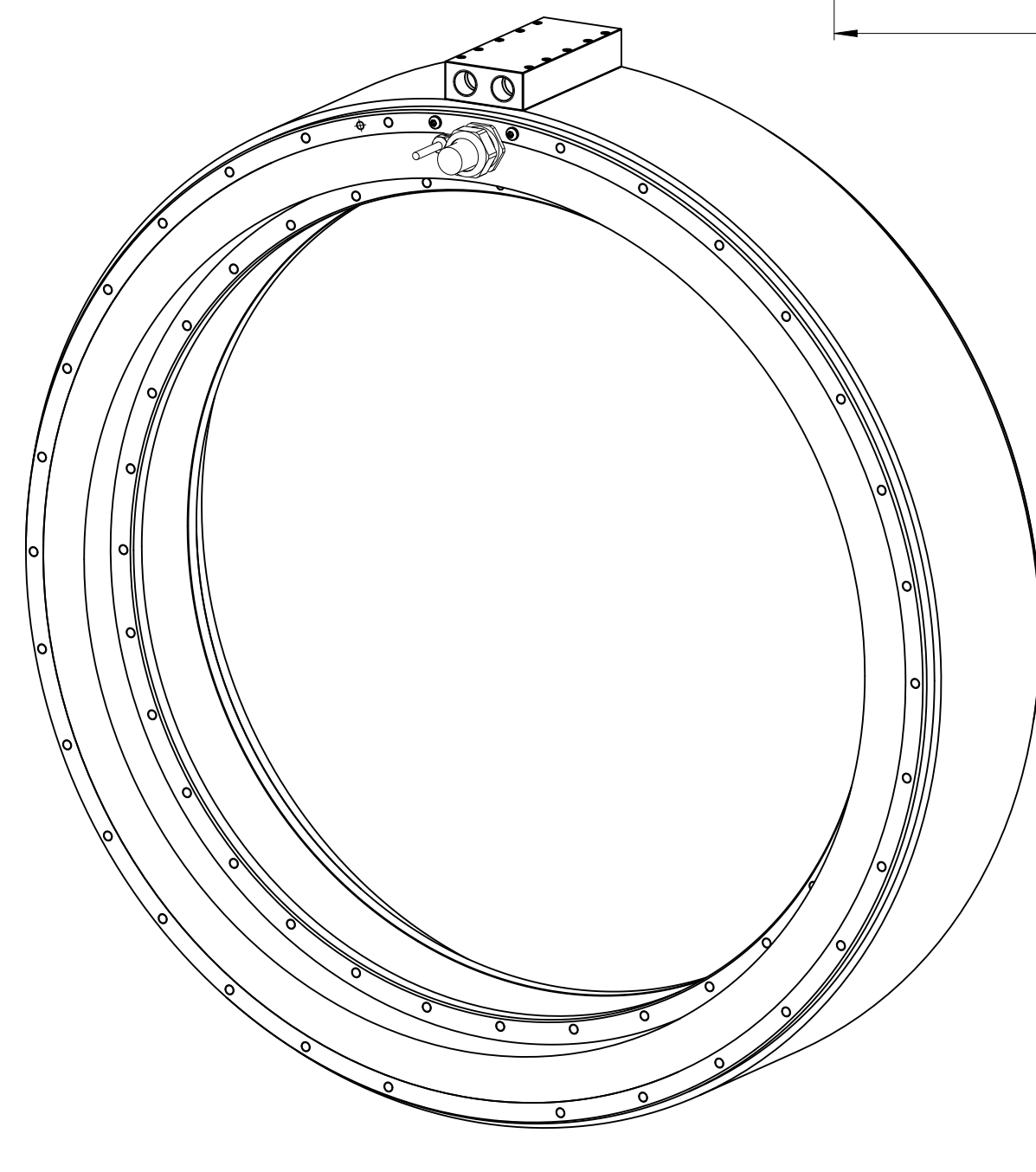
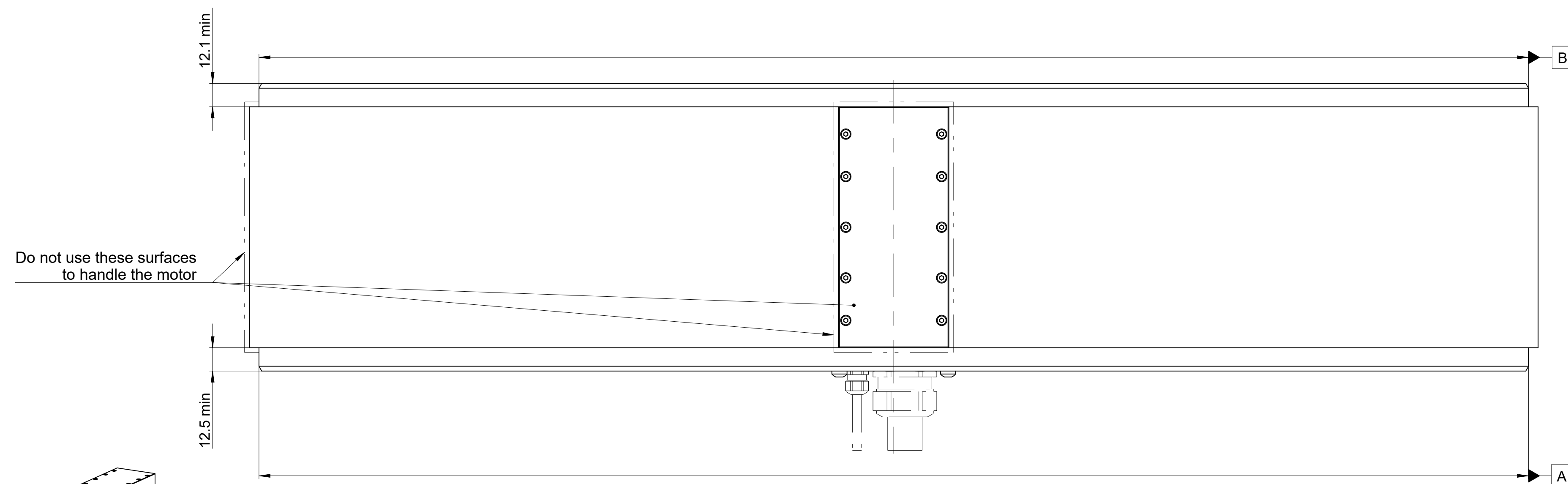
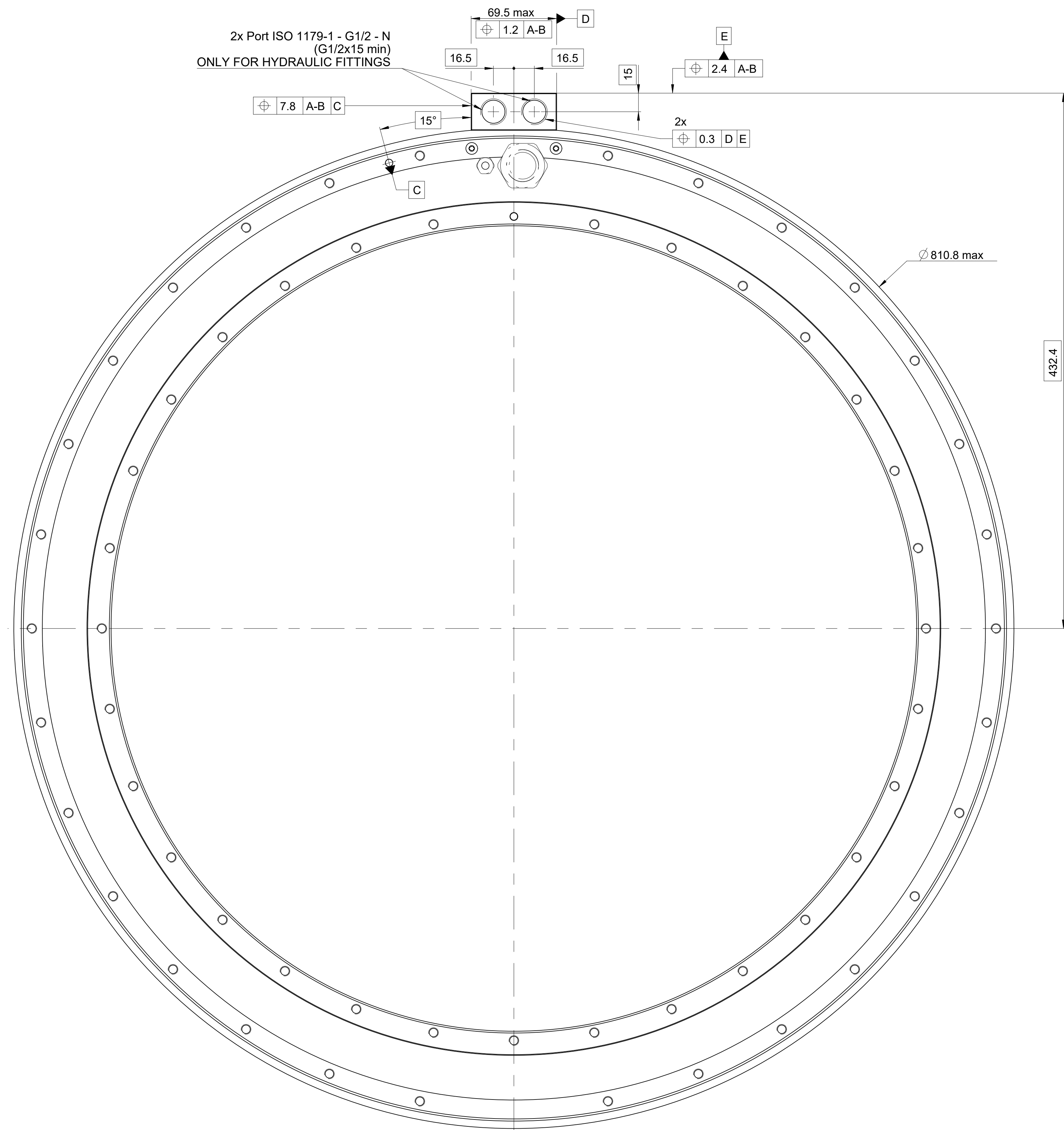


Motor family	0140		0210	
	0175	0291	0450	0530
White - Brown	Phase 1	Phase 3	Phase 2	
Green - Yellow	Phase 3	Phase 2	Phase 1	
Grey - Pink	Phase 2	Phase 1	Phase 3	

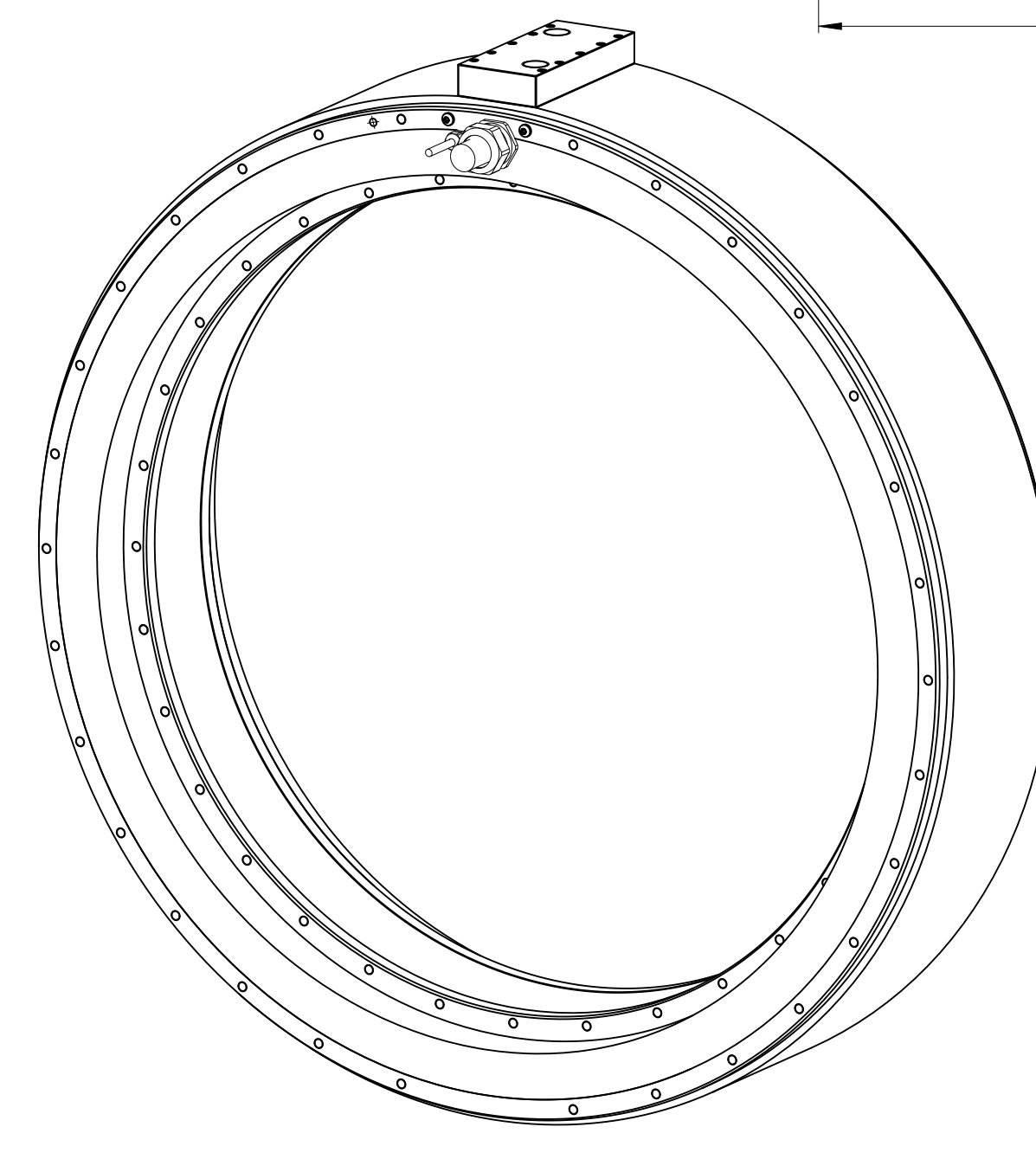
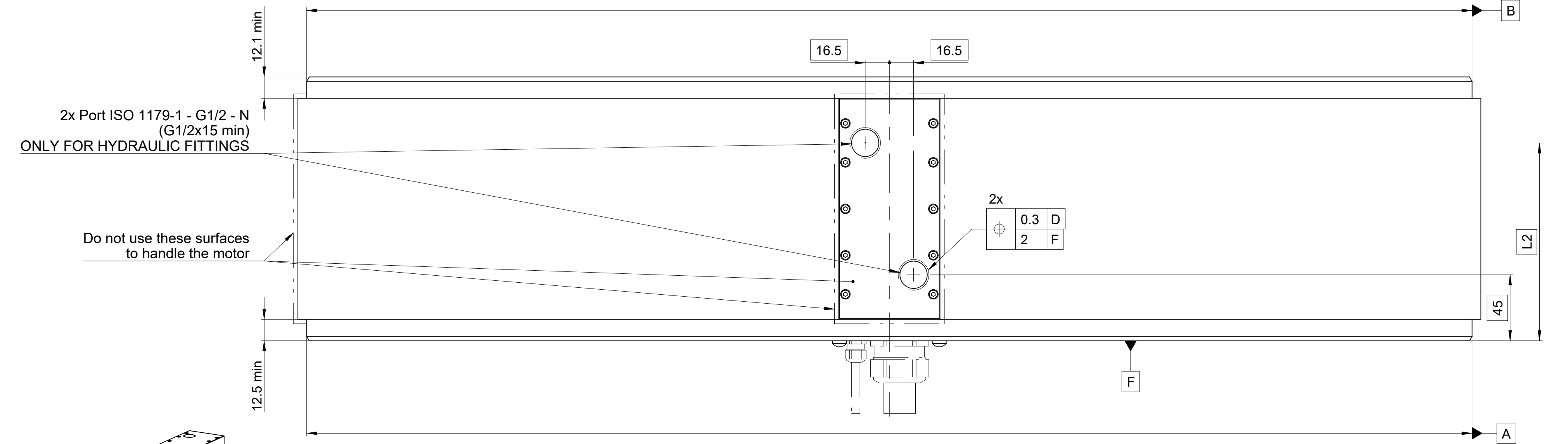
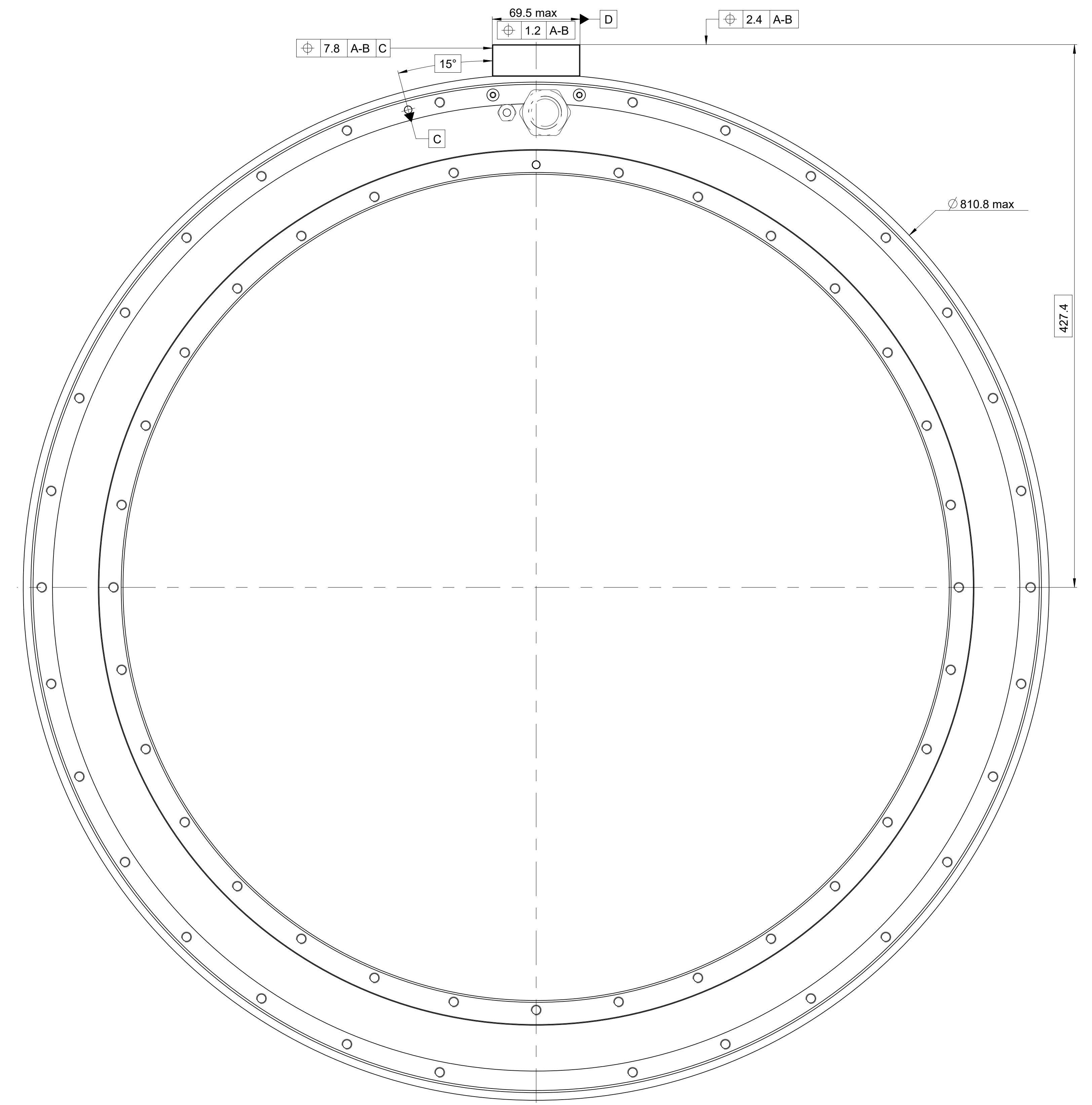
Designation	Output type	S-Wire section	L5	L6	H1	H2	D	SW	Bending radius
[-]	[-]	[mm <sup>2</sup> ]	[mm]	[mm]	[mm]	[mm]	[mm]	[mm]	[mm]
TMB-0760-###-UB#S#	Type 1	-	-	-	30.5	-	10.6	-	Static bending radius for: - sensor cable = 30 - power cable = 4x Øext.
TMB-0760-###-UB#E#	Type 2	2.5	51.5	-	38.6	22.8	-	-	
TMB-0760-###-WB#S#	Type 1	4	-	-	32.5	-	11.9	-	
TMB-0760-###-WB#E#	Type 2	-	53.5	-	38.6	22.8	-	-	
TMB-0760-###-WC#S#	Type 1	-	-	-	38.5	-	-	-	
TMB-0760-###-WC#E#	Type 2	-	62	-	45.9	26.8	-	-	
TMB-0760-###-WF#S#	Type 3	10	-	-	38.5	-	17.5	-	
TMB-0760-###-WF#E#	Type 4	-	-	156.5	-	-	-	-	
TMB-0760-###-WL#S#	Type 5	-	-	-	38.5	-	-	-	
TMB-0760-###-WL#E#	Type 6	-	-	156.5	-	-	-	-	
TMB-0760-###-UF#S#	Type 1	16	-	-	33	-	-	-	
TMB-0760-###-UF#E#	Type 2	-	65.5	-	48.3	25.7	-	-	
TMB-0760-###-UL#S#	Type 3	-	-	-	33	-	-	-	
TMB-0760-###-UL#E#	Type 4	-	-	146	-	-	-	-	
TMB-0760-###-WD#S#	Type 1	-	-	-	33	-	-	-	
TMB-0760-###-WD#E#	Type 2	-	65.5	-	-	25.7	-	-	



TMB+0760-###-#####-A#-AA0  
 (Annex to interface drawing 1177077: please check for motor and cable output information)



TMB+0760-###-#####-R#-AA0  
 (Annex to interface drawing 1177077: please check for motor and cable output information)



Designation	L2
TMB+0760-050	85
TMB+0760-070	105
TMB+0760-100	135
TMB+0760-150	185
TMB+0760-200	235